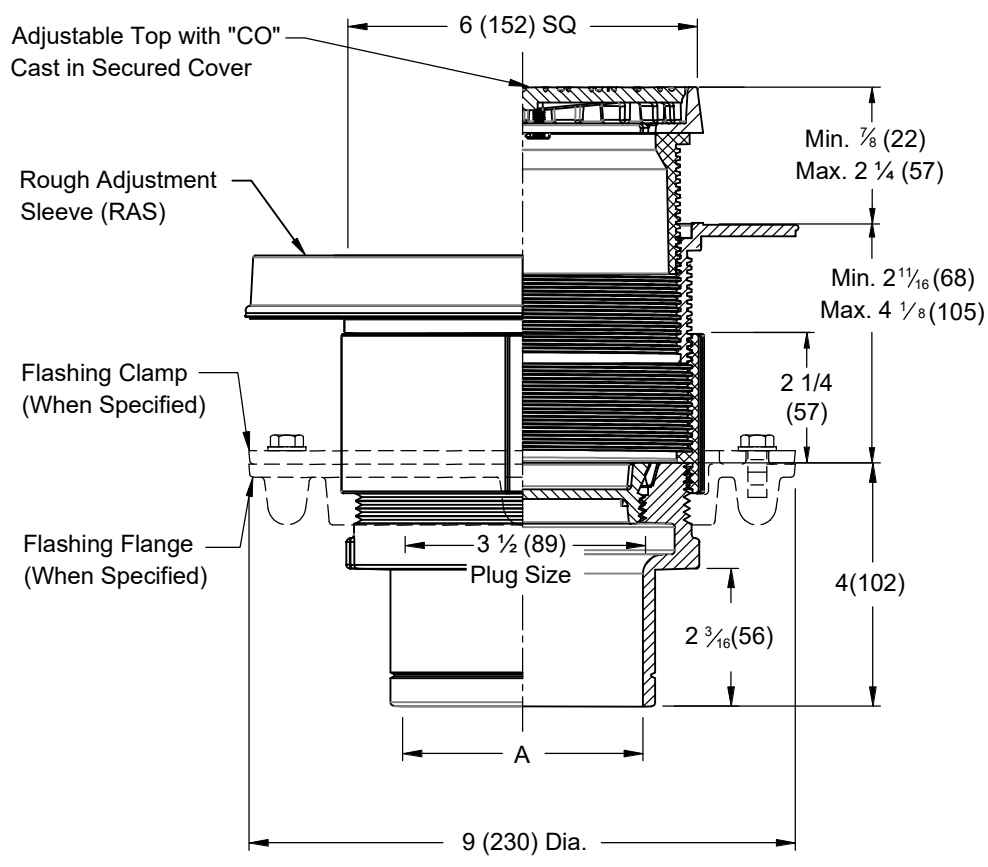


B
 DRAWING NUMBER s4040-ras series
 SIZE A
 SCALE: NONE
 DATE: 04-16-2024
 APPROVED BY: CL
 CHECKED BY: CL
 DRAWN BY: KK
4040-RAS SERIES
 FIGURE NUMBER

WE CAN ASSUME NO RESPONSIBILITY FOR USE OF SUPERSEDED OR VOID DATA
 DIMENSIONS ARE SUBJECT TO MANUFACTURERS TOLERANCE AND CHANGE WITHOUT NOTICE

Snap-N-Go!® FINISHED FLOOR CLEANOUTS WITH TWIS-TO-FLOOR® ADJUSTABLE TOPS

SQUARE NICKEL BRONZE TOP WITH ROUGH ADJUSTMENT SLEEVE



TWIS-TO-FLOOR® ADJUSTMENT NO-HUB OUTLET
 A (Pipe Size) = 02(50), 03(75), 04(100), or 05(125)

- Fig. 4040RAS-S Gasket Seal - ABS Plug
- Fig. 4041RAS-S Gasket Seal - Bronze Plug
- Fig. 4043RAS-S Taper Thread - Bronze Plug
- Fig. 4044RAS-S Taper Thread - ABS Plug

REGULARLY FURNISHED:
 Cast Iron Cleanout Ferrule with Round Adjustable Scoriated Secured Nickel Bronze Top with Rough Adjustment Sleeve. Closure Plug Type as Indicated By Figure Number Selected.

VARIATIONS:
 Flashing Flange -F
 Flange with Flashing Clamp -F-C

OPTIONAL MATERIALS:
 Polished Bronze Top -PB

U.S. PATENT
10,683,654
 CANADIAN PATENT
3,021,711

REV.	DATE	DESCRIPTION	BY	CKD. BY	WEIGHT POUNDS	VOLUME CUBIC FEET	FIGURE NUMBER
B	3-11-25	Revised DWG	HS	CL			4040-RAS SERIES
A	6-5-24	Added "Snap-N-Go!®"	HS	CL			