



Option -FRA1,-FRA2,-FRA3

Formally known as -FP Option.



-FRA Series Freeze Resistant Box

-FRA1 option provides a concealed freeze resistant Valve system for use with specially equipped exterior wall mounted fixtures. Fixture mounted on exterior wall remains free of any residual water which may damage plumbing during freezing temps. The -FRA unit is to be installed on the inside wall (directly behind outdoor fixture) where the room temperature remains above freezing temperatures.

-FRA Assembly consists of Single-Temp Pneumatic Valve(s) with Check Valve to drain residual water, into P-Trap Waste with Funnel Waste Adapter and includes Stop Strainer assembly and Flexible Supply Hose. Fixture Control consists of ADA compliant push-button for pneumatically actuated Air-Valve.

Surface Mounted -FRA Box is fabricated from heavy gauge galvanized steel, with louvered Cover secured with vandal resistant Fasteners and includes openings for Water Supply and Waste.

Operation: When the Valve is in the off position, the residual water in the supply riser to fixture drains back into the Drain Down Check Valve and into the Funnel Waste Adapter and P-Trap assembled within the -FRA Box. This permits the fountain on the outside wall to function year round. Unit shall adhere to NSF/ANSI 61, Section 9.

Installation requires locating -FRA Box on an interior wall directly behind Drinking Fountain/Bottle Filler fixture in a room with temperatures that remain above freezing. Installer shall ensure that wall penetrations are properly sealed and/or insulated to suit wall construction and site conditions. *Refer to Installation Instructions for complete details.*

APPLICABLE MODELS - *Refer to Installation Instructions for complete details.*

1953 Series : ADA Compliant Dura-Ware Front Mount Commercial Lavatory

1652LRB Series : ADA Compliant Penal-Ware Rear Mount Security Grade Lavatory

3401ES Series : ADA Compliant Wash-Ware Front Mount Elliptical Washfountain

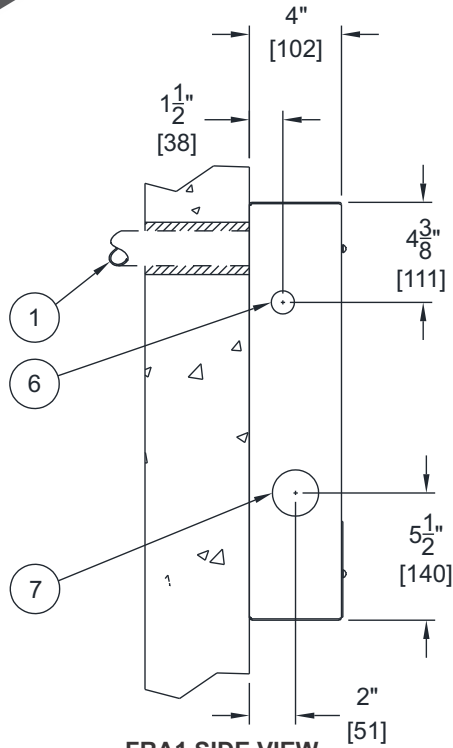
Please visit www.acorneng.com for most current specifications.

WARNING: Cancer and Reproductive Harm - www.P65Warnings.ca.gov

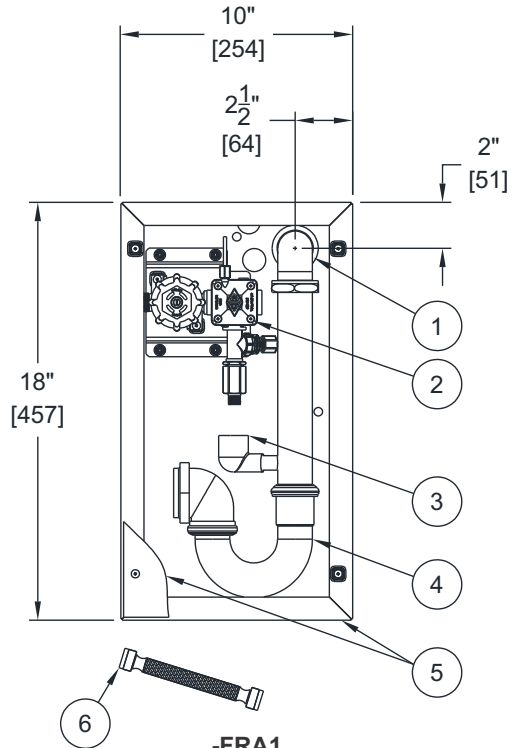




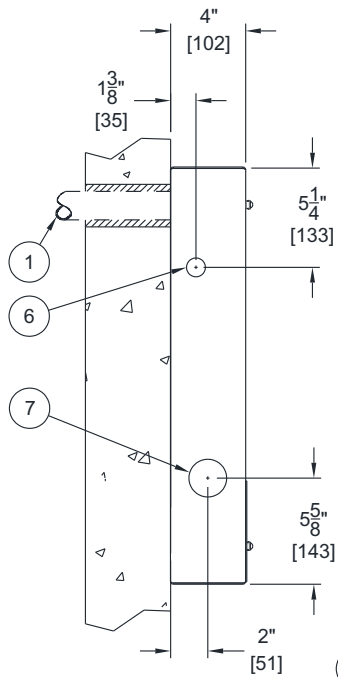
ACORN ENGINEERING COMPANY



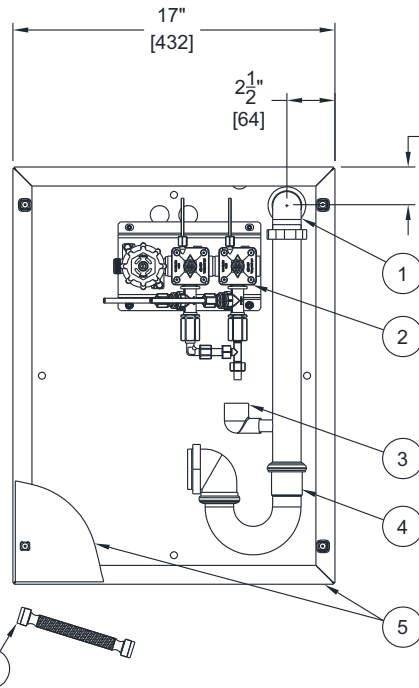
-FRA1 SIDE VIEW



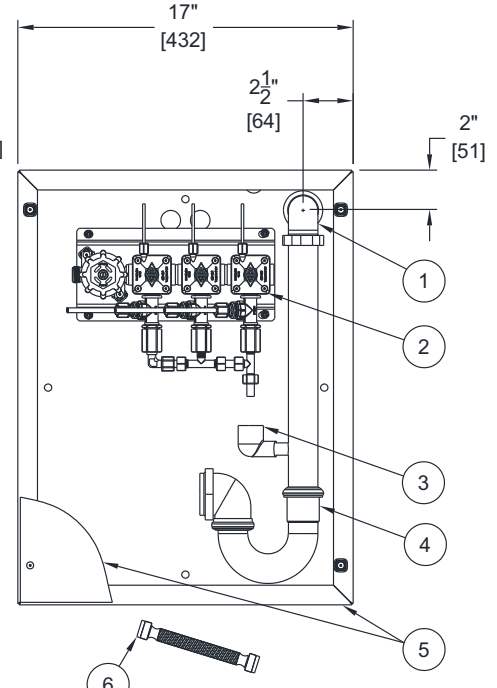
-FRA1



-FRA2 & -FRA3 SIDE VIEW



-FRA2



-FRA3

Notes:

- 1. Waste Outlet Connection from Exterior Fixture
- 2. Pneumatic Valve Assembly with Drain Down Fitting
- 3. Drain Down Funnel Adapter for Waste Assembly
- 4. Brass 1-1/2" P-Trap Waste Fitting
- 5. FRA Box, Cover with Louvers and Fasteners
- 6. Water Supply Inlet Connection for 1/2" NPS Supply Hose
- 7. Waste Outlet Connection

Note: Dimensions shown as Inches [MM]

WARNING: Cancer and Reproductive Harm - www.P65Warnings.ca.gov



ACORN ENGINEERING COMPANY :: P.O. BOX 3527 :: CITY OF INDUSTRY, CA 91744 U.S.A.
TOLL FREE 800-488-8999 :: LOCAL 626-336-4561 :: www.acorneng.com

OPTION: -FRA

Date: 04/24/2026