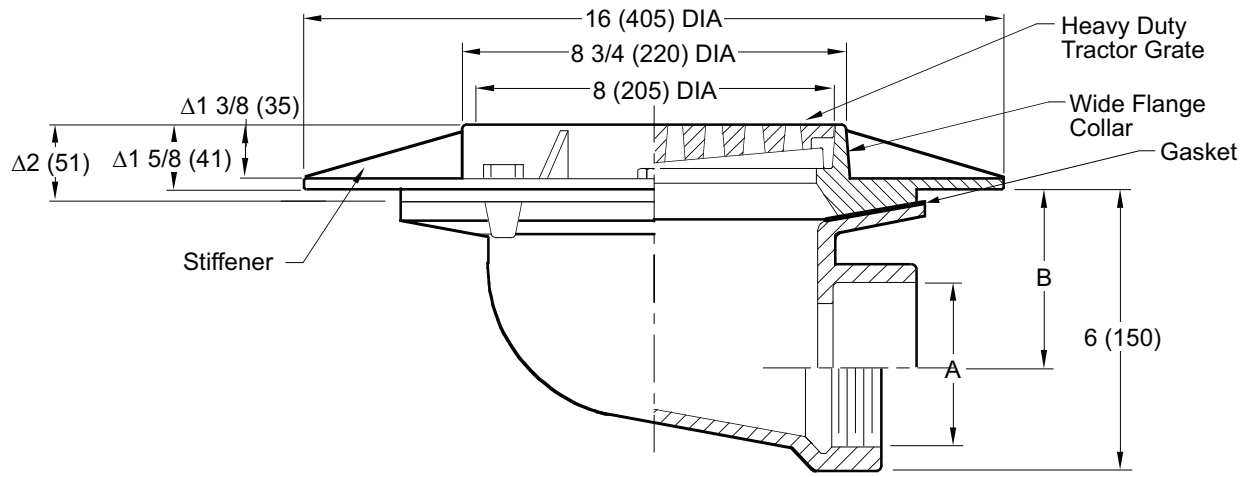


# PARKING DECK FLOOR DRAINS

## WITH HEAVY DUTY WIDE FLANGE COLLAR FOR PRECAST SLABS

Free Area  
 14.25 SQ IN  
 (92) SQ CM



<b>A</b> SIZE	02 (50)	03 (75)	04 (100)
<b>B</b>	4 1/4 (110)	3 3/4 (95)	3 1/4 (83)

Fig. 2619C . . . . CAULK OUTLET  
 Fig. 2619T . . . . THREADED OUTLET

recommended deck opening 13" (330) DIA  
 Δ add 1/4 (6) when bronze top is specified

**REGULARLY FURNISHED:**  
 Duco Cast Iron Body, Heavy Duty Wide Flange Collar with Heavy Duty Tractor Grate. Gasket Seal Between Body and Collar.

- VARIATIONS:**
- Dome Bottom Strainer -DBS
  - Cast Iron Flat Bottom Strainer -FBSCI
  - Square Top -S
  - Vandal Proof -U
  - L Speedi-Set® Service Weight
  - LXH Speedi-Set® Extra Heavy
  - Y NO-HUB

- OPTIONAL MATERIALS:**
- Ductile Iron Grate -M
  - Galvanized Cast Iron -G
  - Nickel Bronze Top -NB
  - Polished Bronze Top -PB

**NOTE:** Dimensions shown in parentheses are in millimeters.

DRAWING NUMBER S2619  
 SIZE A  
 SCALE: NONE  
 DATE: 9-16-96  
 APPROVED BY: JM  
 CHECKED BY: BS  
 DRAWN BY: EMB  
 FIGURE NUMBER 2619

WE CAN ASSUME NO RESPONSIBILITY FOR USE OF SUPERSEDED OR VOID DATA  
 DIMENSIONS ARE SUBJECT TO MANUFACTURERS TOLERANCE AND CHANGE WITHOUT NOTICE

REV.	DATE	DESCRIPTION	BY	CKD. BY	WEIGHT POUNDS	VOLUME CUBIC FEET	FIGURE NUMBER
	5-29-24	Added @	HS	CL			<b>2619</b>
	1-30-18	Rev. Reg. Furn., Title, Added Gasket	TBW	CL			
	1-18-18	Rev. Reg. Furn., Title, Callout	TBW	CL			
	5-24-99	Changed Dimensions	CMD	BS			