

A151-VR-BF3 Series

MODEL A151400S-VR-BF3

BARRIER FREE, VANDAL-RESISTANT WALL MOUNTED DRINKING FOUNTAIN WITH SEMI-RECESSED PUSHBUTTON OPERATED BOTTLE FILLER

STANDARD FEATURES

- Both Child or Adult ADA Compliant (When Properly Installed)
- 18 Gauge, 304 Stainless Steel Basin and Chrome Plated Brass Button
- Polished Lead-Free Stainless Steel, Anti-Rotation Non-Squirt Bubbler or Flexible Low Flow Bubbler
- 100-Mesh Inlet Strainer
- Mounting Frame (A0000000-MF13)
- 1 GPM Fill Rate (Bottle Filler)
- Laminar Flow Water Supply (Bottle Filler)
- Auto-Stop Allows Cartridge and Strainer Service Without Shutting Off Water Supply



Model A151400S-VR-BF3 Shown

“INDOOR USE ONLY”

SUGGESTED SPECIFICATIONS

Model A151400S-VR-BF3 is a wall mounted, Vandal Resistant Drinking Fountain and Bottle Filler combination made from 18 gauge, 304 stainless steel with a brushed finish. Fountain shall be activated by Chrome Plated Brass Pushbutton using less than 5 pounds of force, which activates internally mounted valves with adjustable stream regulators controlling the water flow. Bottle Filler shall be activated by pneumatically operated Hemispherical Pushbutton. Bubbler shall be polished stainless steel with non-squirt feature and operates on a water pressure range of 20-105 PSIG. Unit shall have uniquely designed, two-piece contoured Bowl with a P-Trap integral to the unit. Unit shall be certified to Public Law 111-380 (NO-LEAD) and NSF/ANSI/CAN 61. Fixture meets ADA, ADA Standing Person, and ADA Child requirements when mounted appropriately. Optional WF3000 PFAS Water Filter shall have 3000 gallon capacity with 3rd Party Certification for Lead, Bacteria, Chlorine, Microplastics, and NSF/ANSI for Cyst and total PFAS reduction.

MODEL:

(Must Specify)

FLEXIBLE BUBBLER (LOW FLOW)

- A151200F-VR-BF3 Bronze Finish
- A151300F-VR-BF3 Gold Finish (High Polish)
- A151400F-VR-BF3 Satin stainless Finish

LEAD-FREE STAINLESS STEEL BUBBLER

- A151200S-VR-BF3 Bronze Finish
- A151300S-VR-BF3 Gold Finish (High Polish)
- A151400S-VR-BF3 Satin stainless Finish (Shown)

OPTIONS (additional costs may be incurred)

- HP High polished stainless steel

ACCESSORIES

(additional costs may be incurred)

- WF3000 3000 gallon PFAS Water Filter¹
NSF/ANSI, PFAS, Lead, Bacteria, Chlorine, Microplastics
- A9100080-A 8 GPH Remote Water Chiller
(Recommended to be with 10 Feet of Fixture)

NOTE:

1 - Refer to Supplemental Submittal Sheets for Details

Complies with the following standards:



Federal Public Law 111-380 (No Lead)

NSF/ANSI/CAN 61

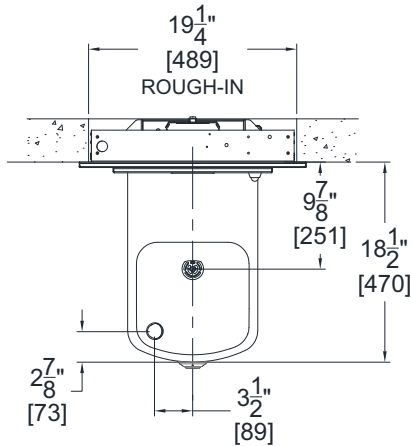
[3000 Gallon PFAS Filter Certifications](#)

[Product Warranty](#)

⚠ WARNING: Cancer and Reproductive Harm - www.P65Warnings.ca.gov

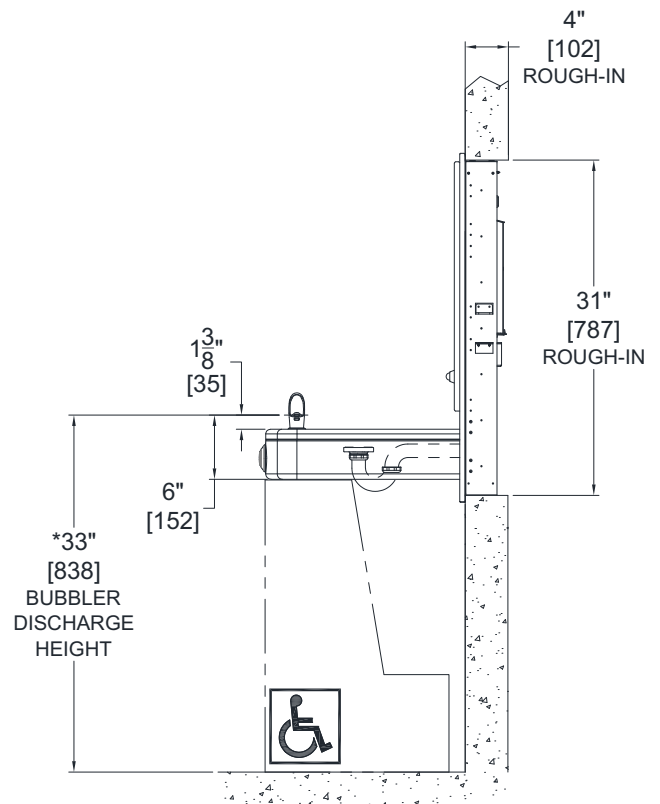
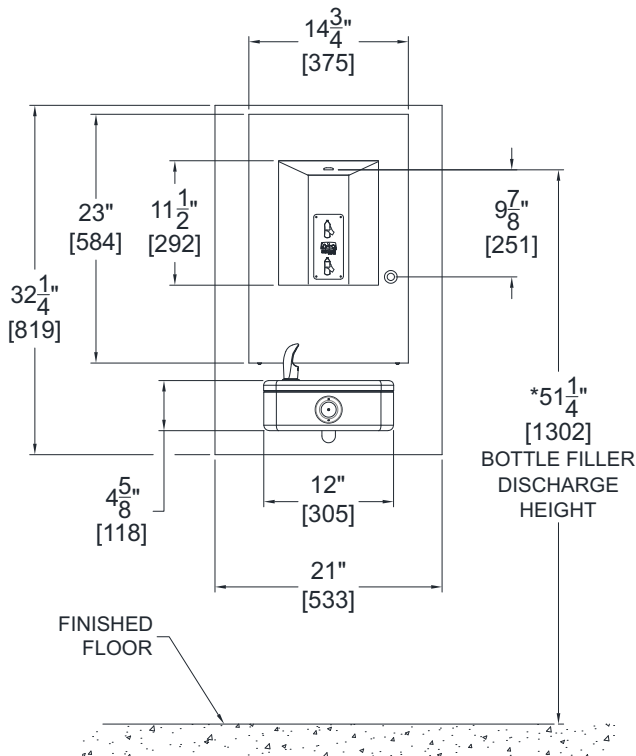
A151-VR-BF3 Series

BARRIER FREE, VANDAL-RESISTANT WALL MOUNTED DRINKING FOUNTAIN WITH SEMI-RECESSED PUSHBUTTON OPERATED BOTTLE FILLER



GENERAL NOTES:

1. ALL DIMENSIONS ARE IN INCHES [MM].
- *2. DIMENSIONS SHOWN ARE FOR RECOMMENDED ADULT HEIGHT. ADJUST VERTICAL DIMENSIONS AS NECESSARY TO COMPLY WITH FEDERAL, STATE & LOCAL CODES.



SELECTION SUMMARY & APPROVAL FOR MANUFACTURING

Model Number & Options _____ Quantity _____

Company _____

Contact _____ Title _____

Signature (Approval for Manufacturing) _____ Date _____

All dimensions are subject to manufactures tolerance of plus or minus 1/4" nominal and subject to change without notice. Murdock[®] assumes no responsibility for use of void or superseded data. Dimensions may change with the addition of optional accessories. Murdock[®] Mfg., Member of Morris Group International[®]. Please visit www.murdockmfg.com for most current specifications.