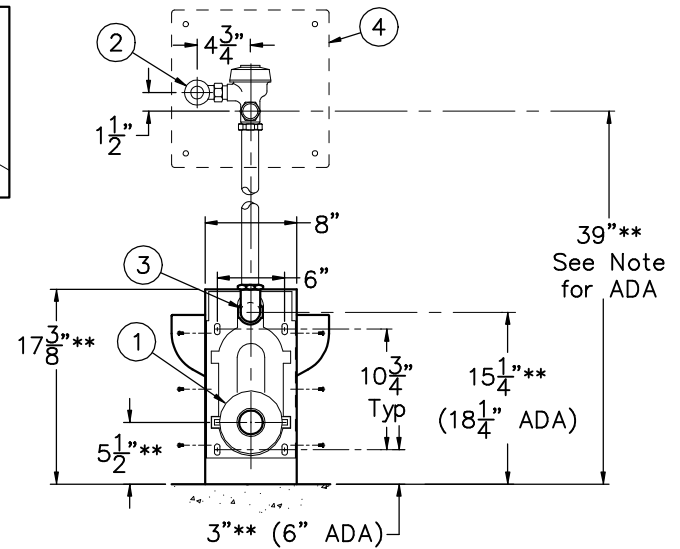
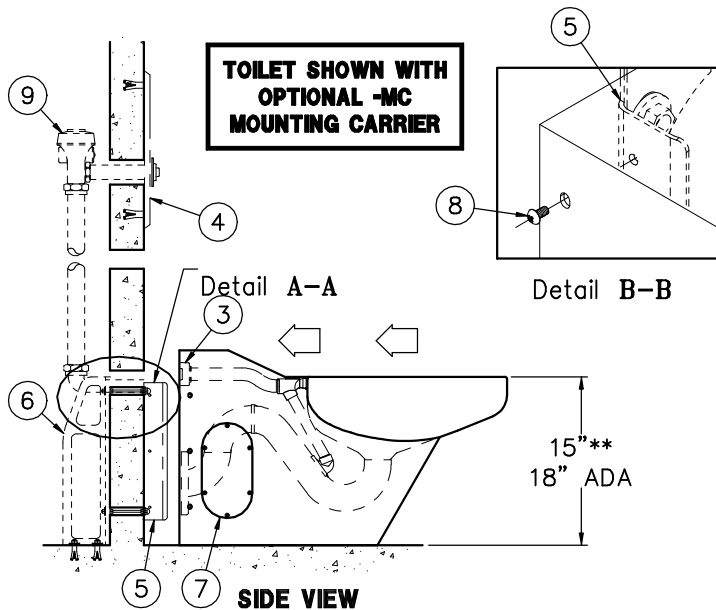
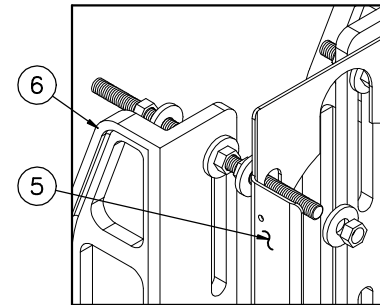
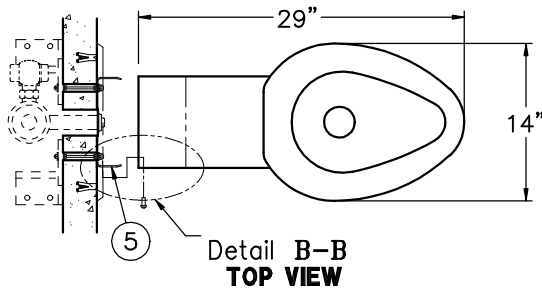


NOTE: USE ONLY APPROPRIATE UPC/cUPC CERTIFIED FLUSH VALVES FOR THIS FIXTURE.
 NOTE: IN-WALL CARRIER IS INTENDED FOR CONCRETE FLOOR INSTALLATION. FOR OTHER FLOOR TYPES CONTACT CARRIER MANUFACTURER.



INSTALLATION INSTRUCTIONS:

A-ROUGH-IN FOR THE FOLLOWING:

- 5-1/2" DIAMETER RECESSED GASKET FLANGE (1).
- FLUSH VALVE INLET 1" NPT (2).
- FIXTURE FLUSHING INLET 1-1/2" NPT (3).

B- OPTIONAL FLUSH VALVE ACCESS PANEL (4) FOR BACK SUPPLY FLUSH VALVES SHOWN FOR REFERENCE ONLY.

C- UNITS LESS CARRIER: ON FIXTURE SIDE OF REINFORCED WALL, INSTALL WALL ANCHORS BY OTHERS MATCHING MOUNTING LOCATIONS AS INDICATED. SECURE MOUNTING CHANNEL (5) TO WALL WITH INSTALLER PROVIDED HARDWARE.

D- UNITS WITH CARRIER LEGS: FOLLOW MANUFACTURER'S INSTALLATION REQUIREMENTS FOR YOUR CARRIER (6). SECURE MOUNTING CHANNEL (5) TO CARRIER WITH ANCHORING HARDWARE PROVIDED WITH YOUR CARRIER. SEE DETAIL A-A.

E- REMOVE ACCESS PANELS (7) AND SET ASIDE. WHILE HOLDING INSTALLER PROVIDED WASTE GASKET IN PLACE, ALIGN WASTE OUTLET CONNECTIONS & SECURE FIXTURE HOUSING TO MOUNTING CHANNEL LOOSELY WITH 1/4-20 SCREWS (8) PROVIDED.

(-W) WALL SUPPLY VIEW FROM BACK OF FIXTURE

F- TIGHTEN WASTE CONNECTIONS THRU ACCESS OPENINGS AND REPLACE ACCESS PANELS (7).

G- TIGHTEN 1/4-20 SCREWS (8) SECURING FIXTURE TO MOUNTING CHANNEL (5). SEE DETAIL B-B.

H- FOR OPTIONAL -FV FLUSH VALVE: CONNECT FLUSH (9) AS REQUIRED FOR CONCEALED INSTALLATIONS PER MANUFACTURER'S RECOMMENDATIONS.

NOTE: FOR -ADA UNITS REFER TO ADA ACCESSIBILITY GUIDELINES FOR COMPLETE INSTALLATION REQUIREMENTS.

- 1- ALL VERTICAL DIMENSIONS INDICATED** INCREASE PROPORTIONATELY WITH ADA SEAT HEIGHT: FOR ADA 18" SEAT HEIGHT, WASTE OUTLET BECOMES 8-1/2".
- 2- FLUSH VALVE MUST BE HYDRAULICALLY ACTUATED OR SUPPLIED WITH AN ADA HANDLE. MAX CONTROL HEIGHT IS 44" ABOVE FINISHED FLOOR.

NEO-METRO®
 P.O. BOX 3527 INDUSTRY, CA. 91744
 (800) 591-9050 * (626) 855-4854
 FAX (626) 937-4725 WWW.NEO-METRO.COM

TITLE WALL SUPPLY, SIPHON, ON-FLOOR, WALL OUTLET TOILET - #8955-W-2		
MANUFACTURE DATE JUNE 1999	DATE ISSUED 04/16/08	DRAWING NUMBER 9935-031-001
TO PRESENT	DATE REVISED	