



INSTALLATION, OPERATIONS & MAINTENANCE MANUAL

Please visit www.acorneng.com for most current specifications.

Meridian® 2141-FM Series Front Mount Siphon Jet Toilet



2141-W-2-FM Shown

**TECHNICAL ASSISTANCE TOLL FREE TELEPHONE NUMBER:
(800) 591-9360**

Technical Assistance E-mail: Fieldservice@acorneng.com



IMPORTANT

MOUNTING CARRIER SUPPORT

Units with Optional -MC Mounting Carrier: Refer to page 8

-FM Front Mount Meridian Toilets are NOT intended for installation with traditional (4) bolt In-Wall Support Carrier. Refer to details for optional Meridian -MC Mounting Carrier.

Some options may slightly alter installation. To ensure proper installation review the manual thoroughly and verify rough-ins before beginning any work. File this manual with the owner or maintenance personnel upon completion of installation.

ANSI, UFAS or ADA compliance is subject to the interpretation and requirements of the local code authority and is the responsibility of the installer for verification.

Prior to installation, supply lines must be flushed of all foreign material such as pipe dope, chips, or solder. Debris or foreign material in water supply may damage valve.

Teflon tape is recommended on all threaded waste and supply connections to reduce the possibility of leaks.

TOILET WASTE CONNECTIONS

Units with Wall Waste Outlets are provided using a 5-1/2" Diameter Recessed Gasket Flange and Floor Waste units will receive a 7-1/2" Diameter Recessed Gasket Flange. The Stainless Steel Gasket Flange is welded in place to the Toilet P-trap, and is fabricated to be flush with the back of the unit (wall outlet) or flush with the bottom of the fixture (floor outlet).

The Recessed Gasket Flange is intended for installation and assembly with a common Toilet Closet Flange Fitting, Yoke Adapter or similar. The Recessed Gasket Flange provided includes (2) 5/16" UNC Threaded Captive Nuts, which are on 6" centers. These tapings allow for assembly of Closet Bolts and may assist to provide for the Squeeze of the Gasket to seal the waste connection. Certain installation conditions may not require using the tapings. Installer shall provide and install a watertight seal at toilet outlet using an industry standard wax ring or rubber gasket ring.

Please refer to the Link or QR code provided.

For Cleaning & Care Guide:

<https://www.acorneng.com/uploads/fileLibrary/9900-008-001.pdf>





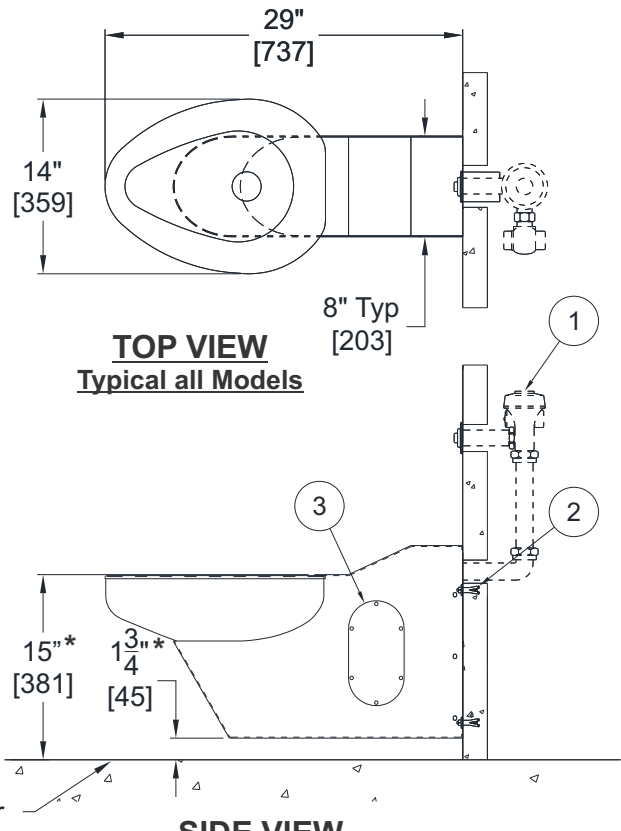
INSTALLATION, OPERATIONS & MAINTENANCE MANUAL

Please visit www.acorneng.com for most current specifications.

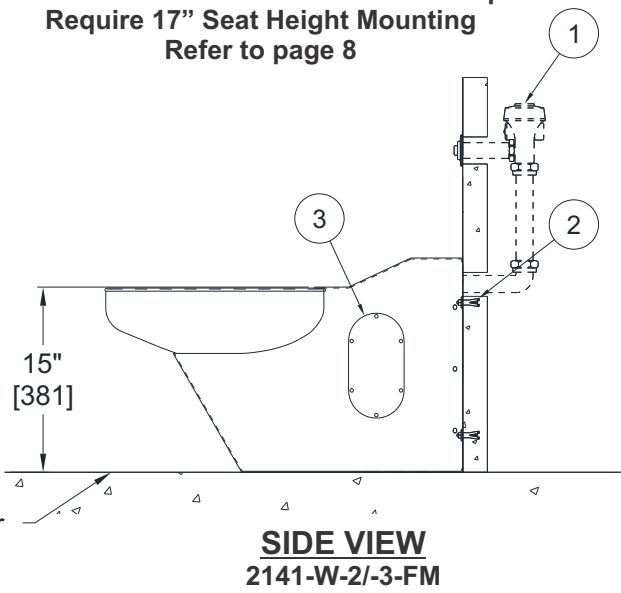
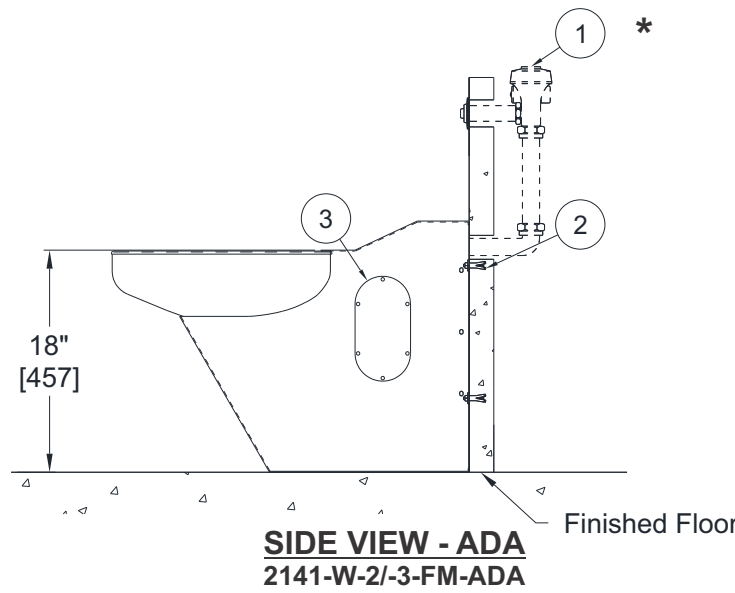
Front Mount Toilet Meridian 2141-FM Series

DIMENSIONAL DATA -W WALL SUPPLY -1, -2, -3 MOUNTING & WASTE

- NOTES: All Dimensions are In Inches [MM]
1. Optional -FV Flush Valve -W Wall Supply
 2. Wall Mounting Hardware - By others.
 3. Access Panel. Both Sides.



SIDE VIEW
2141-W-1-FM Off-Floor Fixture Mtg
(Standard Seat Rim height)
-1 Off-Floor Models with -ADA and -MC Option
Require 17" Seat Height Mounting
Refer to page 8



***Note: For 2141-1-FM-ADA-MC Off-Floor units with -ADA and optional -MC:**
 Refer to separate Installation Manual. Dimensions indicated (*) increase 2" for 17" seat height to coordinate with optional -MC Mounting Carrier Support.



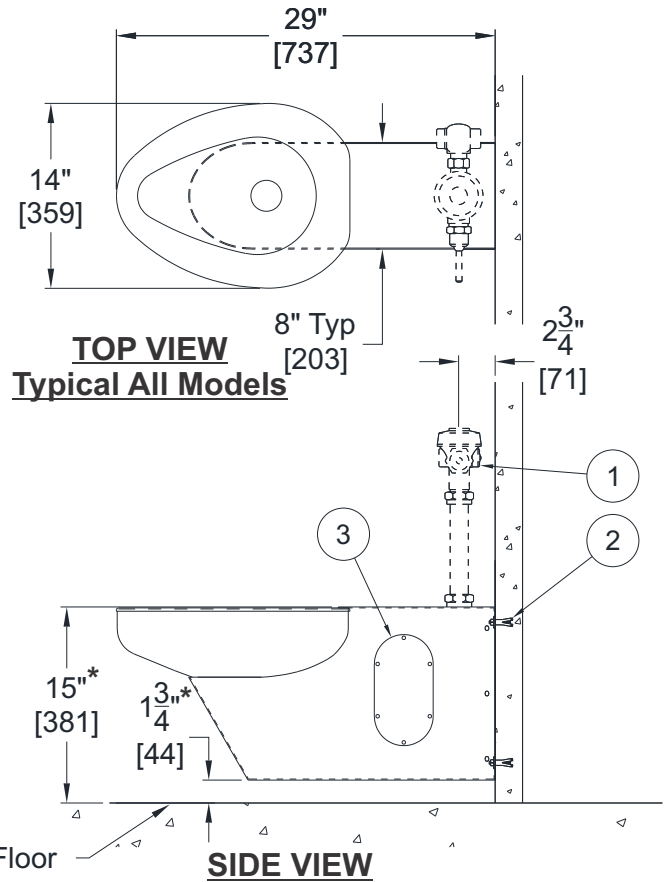
Please visit www.acorneng.com for most current specifications.

Front Mount Toilet Meridian 2141-FM Series

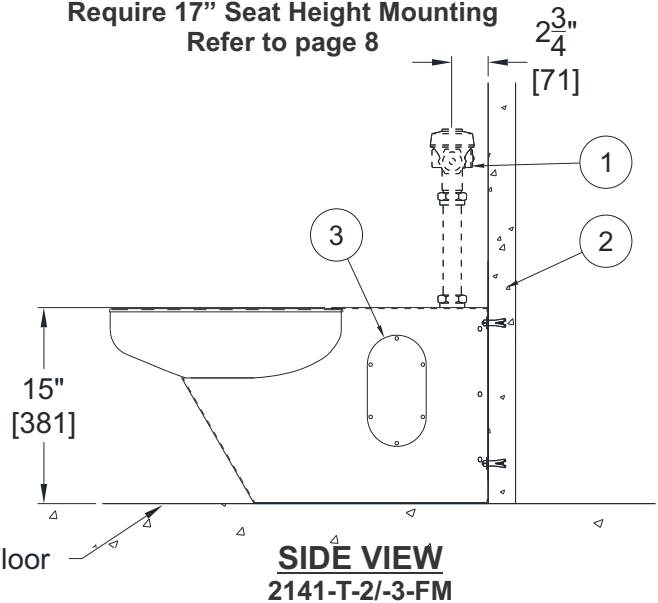
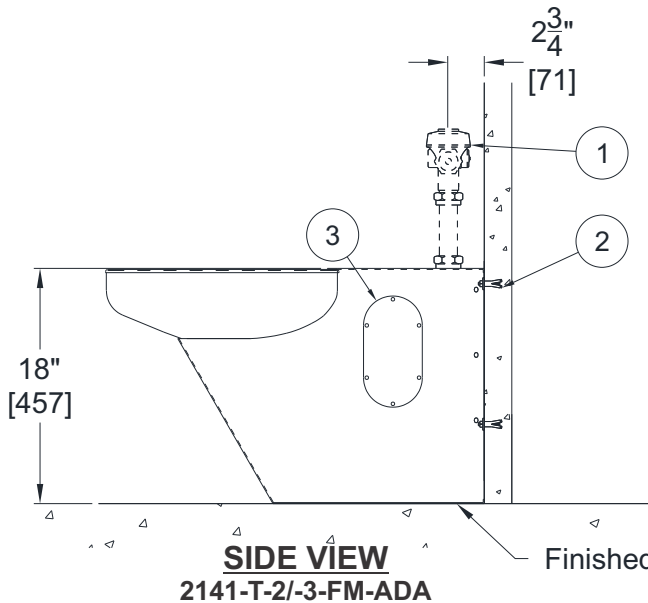
**DIMENSIONAL DATA
-T TOP SUPPLY
-1, -2, -3 MOUNTING & WASTE**

NOTES: All Dimensions are In Inches [MM]

1. Optional -FV Flush Valve -T Top Supply
2. Wall Mounting Hardware - By Others.
3. Access Panel. Both Sides.



2141-T-1-FM Off-Floor Fixture Mtg
* -1 Off-Floor Models with -ADA and -MC Option
Require 17" Seat Height Mounting
Refer to page 8



***Note: For 2141-1-FM-ADA-MC Off-Floor units with -ADA and optional -MC:**
Refer to separate Installation Manual. Dimensions indicated (*) increase 2" for 17" seat height to coordinate with optional -MC Mounting Carrier Support.



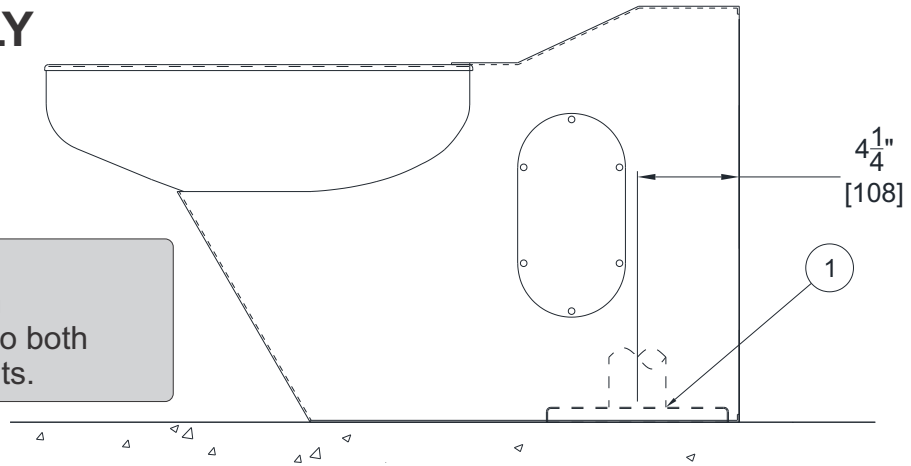
Please visit www.acorneng.com for most current specifications.

Front Mount Toilet Meridian 2141-FM Series

ROUGH-IN DIMENSIONS
-W WALL SUPPLY

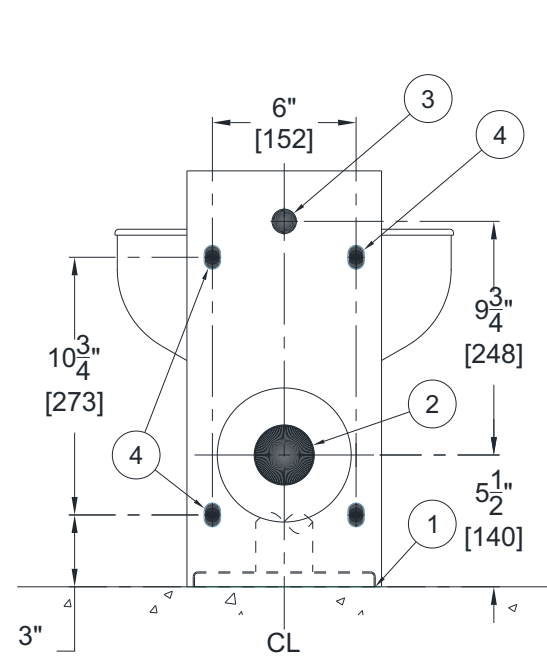


Floor Waste Rough-in Dimension will apply to both standard and ADA units.



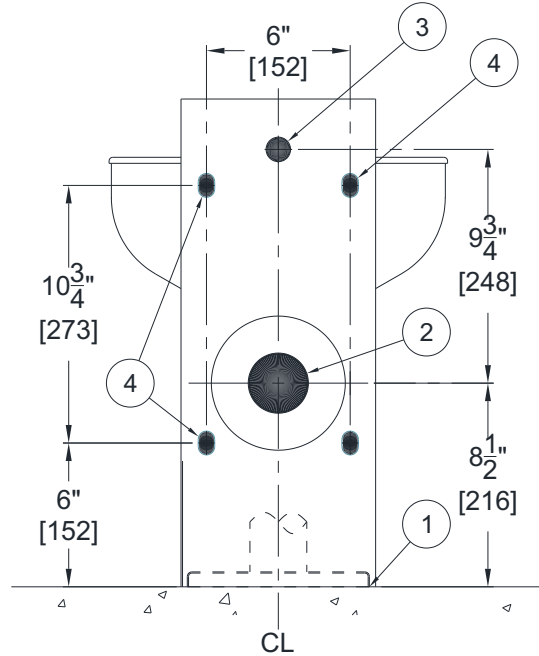
SIDE VIEW

-3 Floor Waste Outlet Units (Only)



FRONT VIEW

**-2 & -3 On-Floor Housing Shown
Use also for -1 Off-Floor Units
(15" Seat Rim Height)**



FRONT VIEW

**-ADA Model for -2 & -3 On-Floor Housing
(18" Seat Rim Height)**

NOTES:

- [1] 7-1/2" Recessed Gasket Flange for -3 Floor Waste.
- [2] 5-1/2" Recessed Gasket Flange -1, or -2 Wall Waste (Flush with fixture rear)
- [3] 1-1/2" NPT Female Wall Supply Flushing Inlet Connection. Flush Valve is optional or By Others.
- [4] 5/8" Dia. Slotted Opening provided for mounting to required Wall Anchors and/or Wall Backing.
Wall Mounting Hardware and Fasteners are provided By Others as required to suit wall type.

IMPORTANT: For 2141-1-ADA-MC models differ. Refer to page 8 for rough-in details.



Please visit www.acorneng.com for most current specifications.

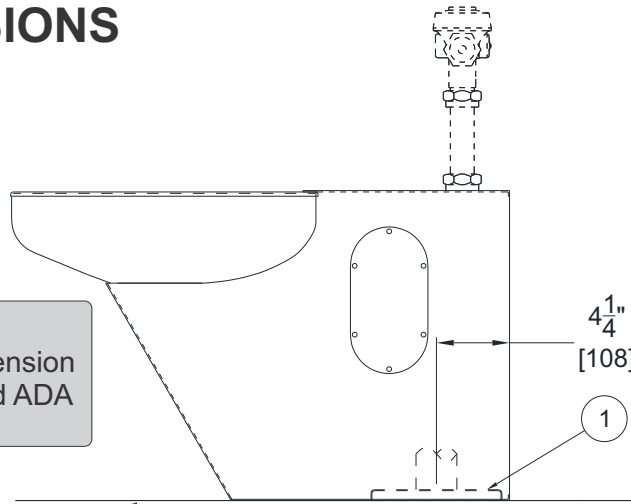
Front Mount Toilet Meridian 2141-FM Series

ROUGH-IN DIMENSIONS
-T TOP SUPPLY



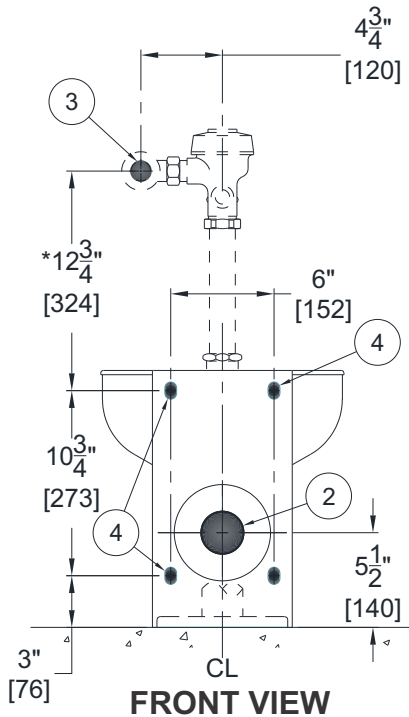
IMPORTANT

-3 Floor Waste Rough-in Dimension will apply to both standard and ADA units.



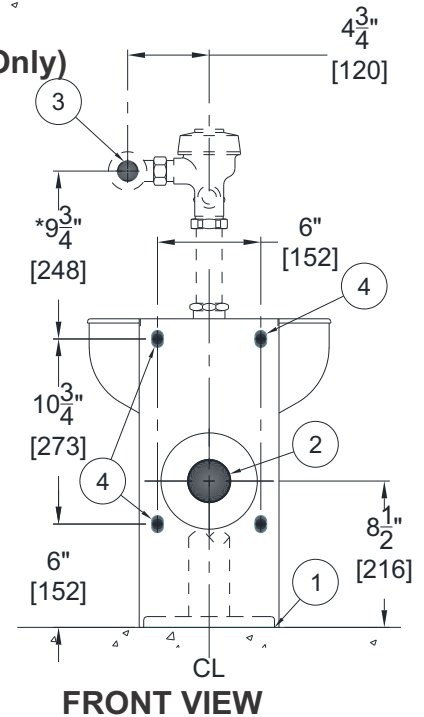
SIDE VIEW

-3 Floor Waste Outlet Units (Only)



FRONT VIEW

**-2 & -3 On-Floor Housing Shown
Use also for -1 Off-Floor Units
(15" Seat Rim Height)**



FRONT VIEW

**-ADA Model for -2 & -3 On-Floor Housing
(18" Seat Rim Height)**

NOTES:

- [1] 7-1/2" Recessed Gasket Flange for -3 Floor Waste.
- [2] 5-1/2" Recessed Gasket Flange -1, or -2 Wall Waste (Flush with fixture rear)
- [3] 1-1/2" NPT Female Wall Supply Flushing Inlet Connection. Flush Valve is optional or By Others.
- [4] 5/8" Dia. Slotted Opening provided for mounting to required Wall Anchors and/or Wall Backing. Wall Mounting Hardware and Fasteners are provided By Others as required to suit wall type.

*NOTE: Flush Valve Supply Inlet dimension provided are for reference only. Verify requirements to suit site conditions and fixture type.



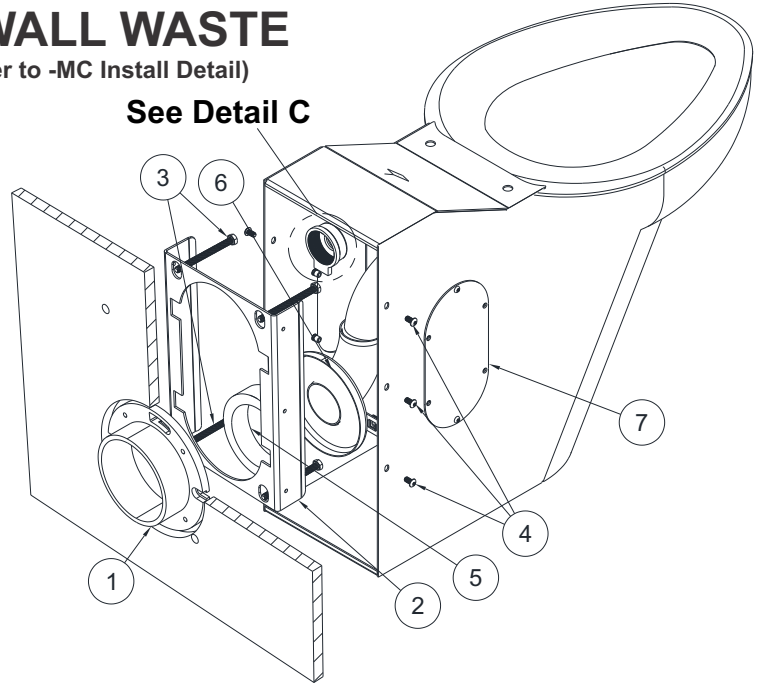
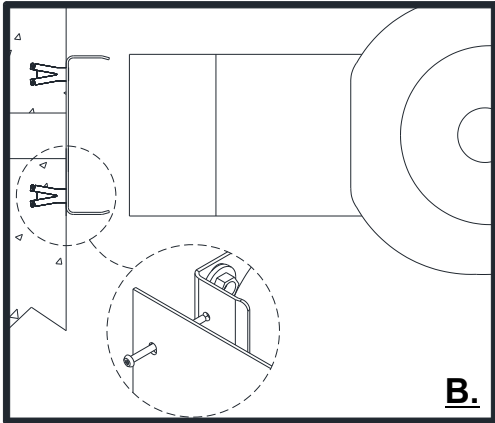
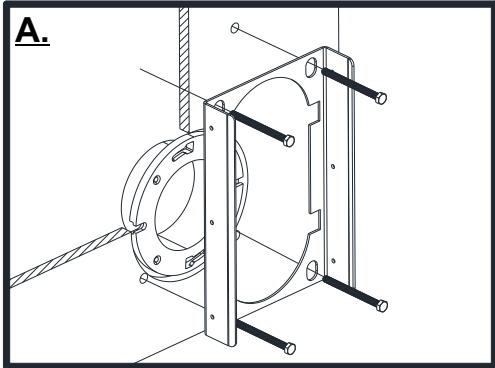
INSTALLATION, OPERATIONS & MAINTENANCE MANUAL

Please visit www.acorneng.com for most current specifications.

Front Mount Toilet Meridian 2141-FM Series

INSTALLATION DETAILS WALL WASTE

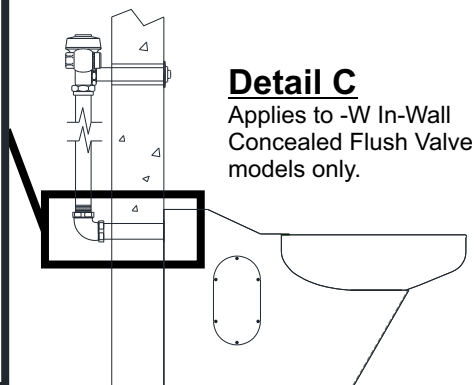
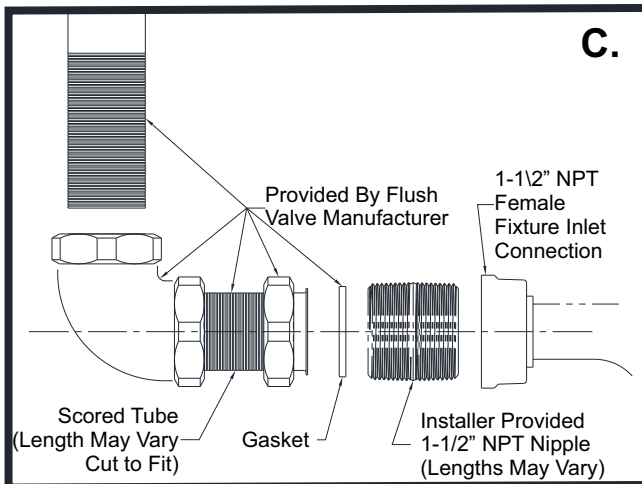
(IMPORTANT: For -MC Mounting Carrier option - Refer to -MC Install Detail)



- [1] Closet Flange (By Others)
- [2] Wall Channel (Provided)
- [3] Wall Mounting Hardware (By Others)
- [4] 1/4-20 Screws
- [5] Neoprene Gasket (By Others)
- [6] 5-1/2" Dia. Recessed Gasket Flange (Provided)
- [7] Access Panel and 1/4"-20 Fasteners

INSTALLATION

- A. Position Mounting Channel [2] onto fixture side of Reinforced Wall locating as indicated. Wall Anchors and Fasteners [3] are by others. **See Detail A.**
- B. Place Toilet up against wall. Attach toilet housing to Mounting Channel [2] using 1/4-20 Screws [4]. **Detail B.**
- C. Remove Access Panel and Fasteners [7] make up toilet waste connection.
- D. Install Flush Valve to fixture as required per manufacture's recommendations.



Detail C
Applies to -W In-Wall Concealed Flush Valve models only.

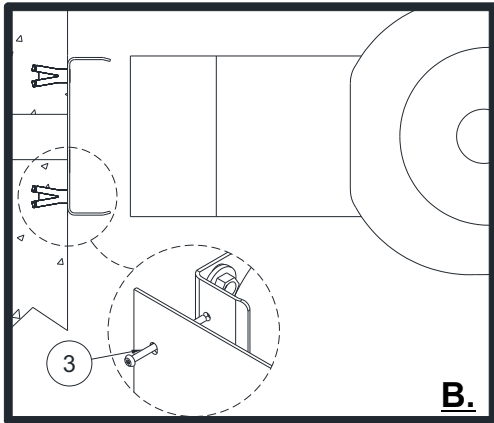
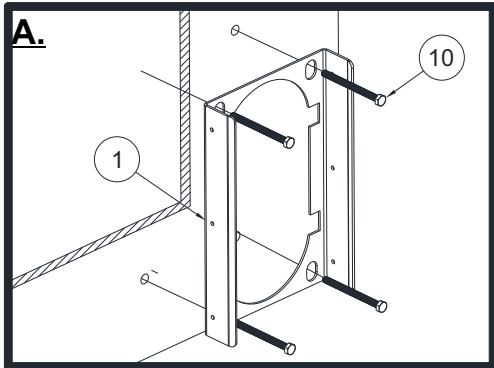


INSTALLATION, OPERATIONS & MAINTENANCE MANUAL

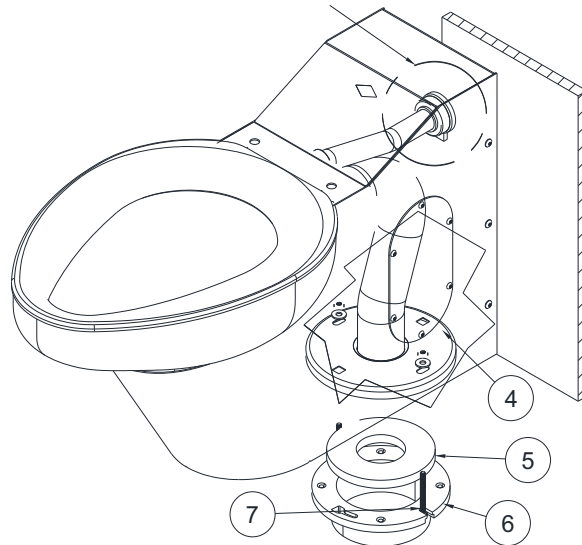
Please visit www.acorneng.com for most current specifications.

Front Mount Toilet Meridian 2141-FM Series

DETAILS -3 FLOOR WASTE AND -W WALL SUPPLY



See Detail C

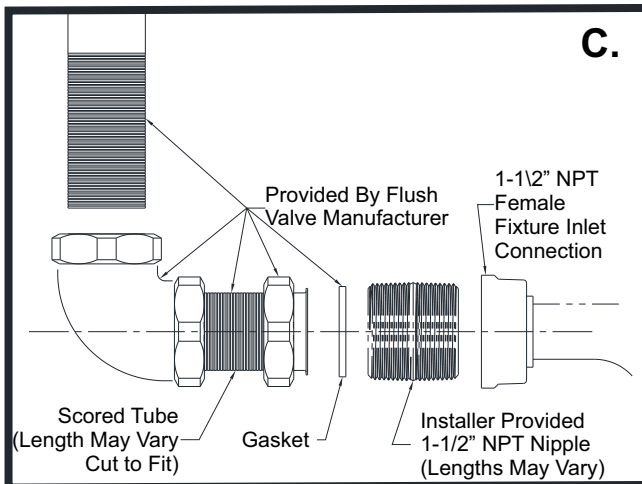


- [1] Mounting Channel (Provided)
- [2] Wall Mounting Hardware (By Others)
- [3] 1/4-20 Screws
- [4] Access Panel and 1/4"-20 Fasteners

- [5] Appropriate Toilet Gasket (By Others)
- [6] Closet Flange Connection to Waste (By Others)
- [7] Closet Flange Hardware (By Others)

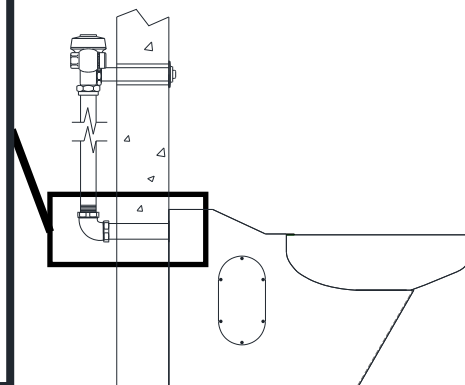
INSTALLATION

- A. Position Mounting Channel [1] onto fixture side of Reinforced Wall locating as indicated. Wall Anchors and Fasteners [2] are by others. **See Detail A.**
- B. Place Toilet up against wall. Attach toilet housing to Mounting Channel [1] using 1/4-20 Screws [3]. **Detail B.**
- C. Remove Access Panel and Fasteners [4] make up toilet waste connection.
- D. Install Flush Valve to fixture as required per manufacture's recommendations.



Detail C

-W In-Wall Concealed Flush Valve models only.





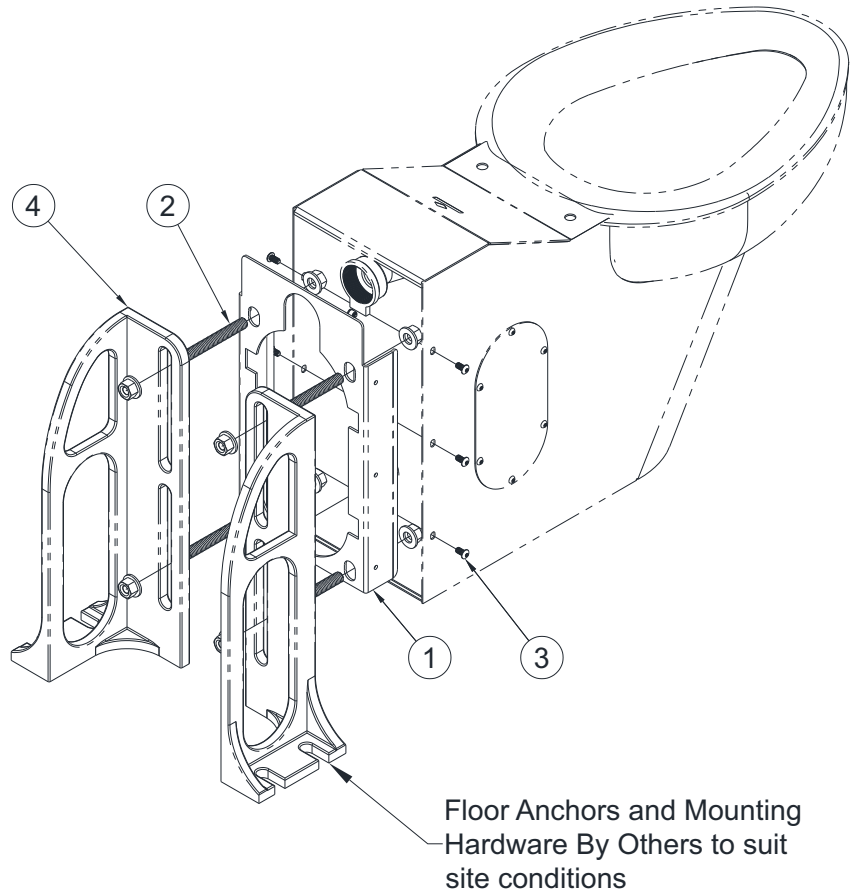
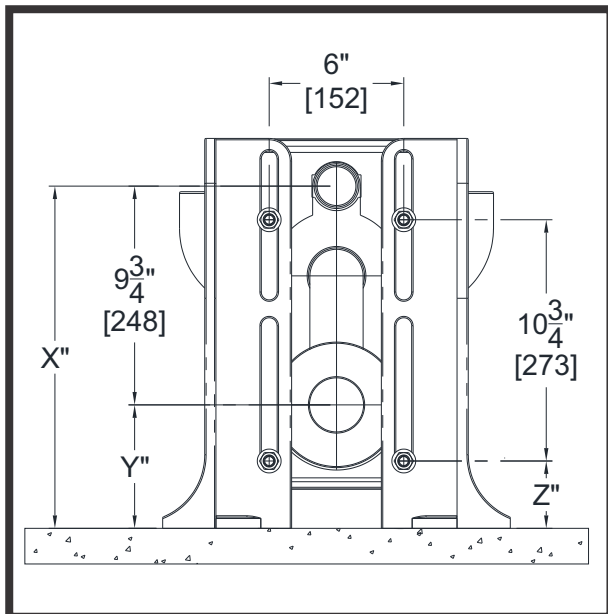
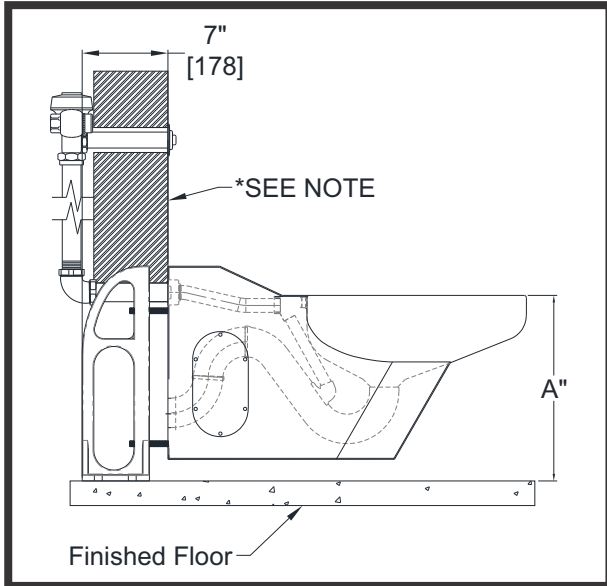
INSTALLATION, OPERATIONS & MAINTENANCE MANUAL

Please visit www.acorneng.com for most current specifications.

Front Mount Toilet Meridian 2141-FM-MC Series

OPTIONAL -MC MOUNTING CARRIER DETAIL

***NOTE:** MC Mounting Carrier requires a 6" stud wall depth or equivalent.



RIM HEIGHT MOUNTING				
RIM HEIGHT	A	X	Y	Z
15"	15" [381]	15-1/4" [387]	5-1/2" [140]	3" [76]
17"	17" [432]	17-1/4" [438]	7-1/2" [184]	5" [127]

NOTES:

- [1] Mounting Channel (Provided) [3] 1/4-20 Screws (Provided)
- [2] 1/2-13 6" UNC all thread studs [4] Mounting Carrier

INSTALLATION

- A. Secure Mounting carrier to floor [4] in desired position with industry standard hardware (provided by others)
- B. Position Mounting Channel [1] onto mounting carrier arms [4] locating as needed for standard or ADA rim height using 1/2-13 6" UNC studs [2].
- C. Place Toilet up against wall. Attach toilet housing to Mounting Channel [1] using 1/4-20 Screws [3].
- D. Make up toilet waste connection through access panel. (Refer to pages 6 & 7)
- E. Install Flush Valve to fixture as required per manufacture's recommendations (Refer to pages 6 & 7)