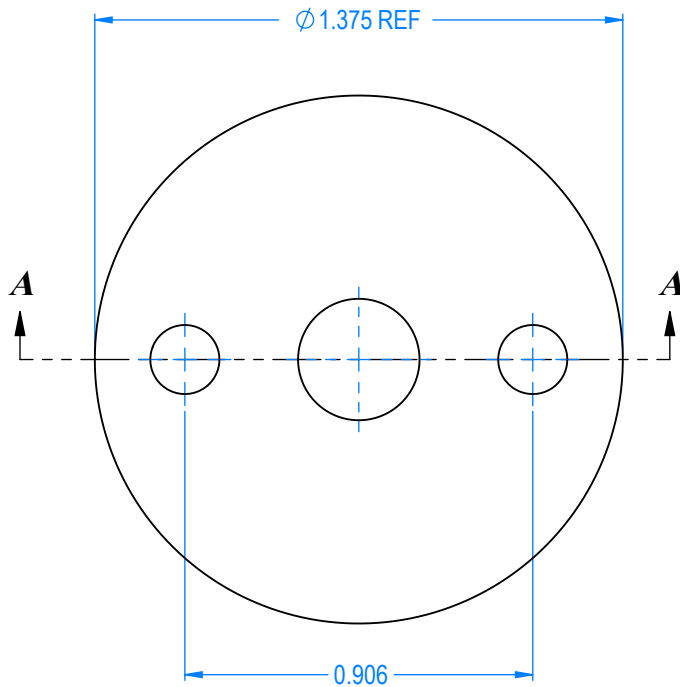


SECTION A-A — 5/16-18 UNC REF



NOTE:
ASTM B456 CHROME PLATE.



ACORN ENGINEERING COMPANY
P.O. BOX 3527 INDUSTRY, CA. 91744
(626)336-4561 FAX (626) 961-2200

TITLE 5/16-18 (-CN) CAP NUT, CHROME PLATED		MATERIAL TYPE HALB	
JOB OR SECTION NUTS, WASHERS & HARDWARE		DRAWING NUMBER 0311-200-199W	
SCALE 2:1	DATE 1/5/81	DRN. BY K.M. / MS	ECO REVISION C
		REV. DATE 09/07/2011	SHEET 1 OF 1