

C



JAY R. SMITH MFG. CO.
 MEMBER OF MORRIS GROUP INTERNATIONAL
 POST OFFICE BOX 3237
 MONTGOMERY, ALABAMA 36109-0237 (USA)
 TEL: 334-277-8520 FAX: 888-377-7818 www.jrsmith.com



MEMBER OF:

LOCATION

DRAWING NUMBER
S2629

SIZE
A

SCALE:
NONE

DATE:
9-16-96

APPROVED BY:
BS

CHECKED BY:
BS

DRAWN BY:
EMB

2629

WE CAN ASSUME NO RESPONSIBILITY FOR USE OF SUPERSEDED OR VOID DATA

FLOOR DRAINS WITH HEAVY DUTY WIDE FLANGE FLASHING COLLAR

Free Area
45 SQ IN
(290) SQ CM

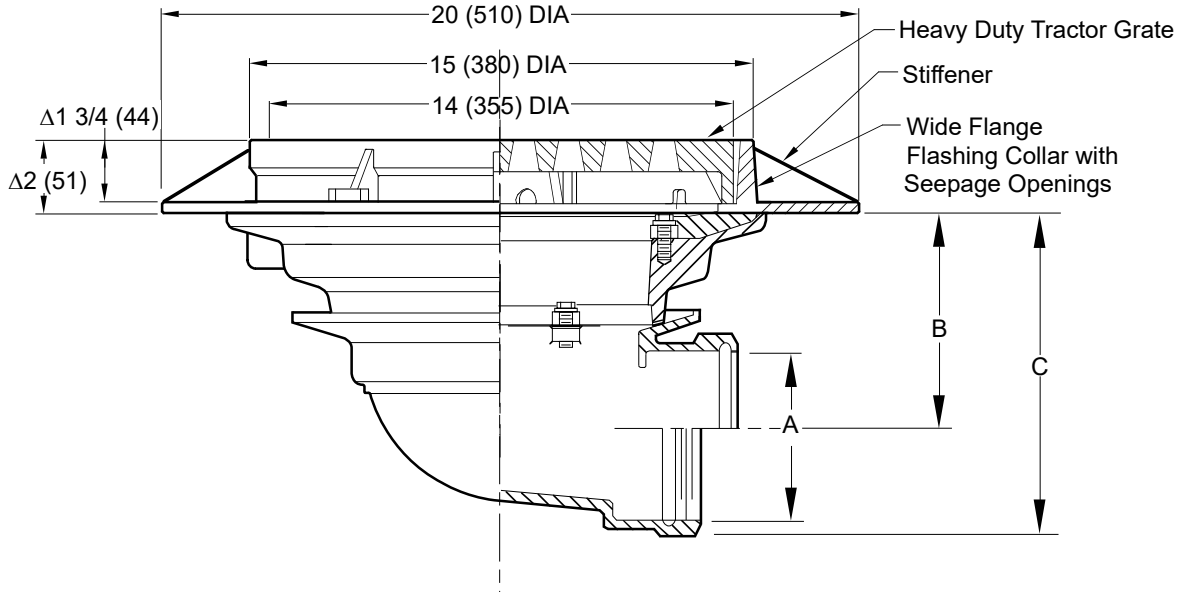


Fig. 2629C CAULK OUTLET
 Fig. 2629T THREADED OUTLET

recommended deck opening - 16" (405) DIA
 ΔAdd 1/4" (6) when bronze top is specified.

A SIZE	02 (50)	03 (75)	04 (100)	05 (125)	06 (150)
B	6 7/8 (175)	6 3/8 (162)	5 7/8 (149)	5 (125)	4 1/2 (115)
C	8 5/8 (219)	8 3/4 (220)	8 3/4 (220)	8 1/2 (215)	8 1/2 (215)

REGULARLY FURNISHED:

Duco Cast Iron Body, Heavy Duty Wide Flange Flashing Collar with Heavy Duty Tractor Grate. Gasket Seal Between Body and Collar.

VARIATIONS:

- Dome Bottom Strainer -DBS
- Cast Iron Flat Bottom Strainer -FBSCI
- Square Top -S
- Vandal Proof -U
- Y NO-HUB Outlet

OPTIONAL MATERIALS:

- Ductile Iron Grate -M
- Galvanized Cast Iron -G
- Nickel Bronze Top -NB
- Polished Bronze Top -PB

NOTE: Dimensions shown in parentheses are in millimeters.

C	1-18-24	Revised Regularly Furnished Rev. Drawing, Variations Changed millimeters	HS	CL	WEIGHT POUNDS	VOLUME CUBIC FEET	FIGURE NUMBER 2629
B	8-12-15		TBW	CL			
A	5-24-99		CMD	BS			
REV.	DATE	DESCRIPTION	BY	CKD. BY			