



Acorn-Sinks® Stainless Steel Drop-In Sink

Single Bowl | ADA Compliant



Base Model: SDADA-3322
SPECIFICATIONS
Drop-In Style Installation ADA Compliant
Single Bowl
O.D. Size: 33" x 22" (838mm x 559mm)
Bowl Size: 28" x 16" (711mm x 406mm)
Depth: 4-1/2" (114mm), 5-1/2" (140mm), 6-1/2" (165mm)
Type 304 Stainless Steel Material
18 Gauge (0.050") Thickness
#4 Polished Satin Finish
Drain Opening Size: 3-1/2" Dia. (89 mm)
Drain Location: Center Back
Mtg Hdwe up to 1-3/8" (35mm) Thick Counter

Technical Details: Acorn-Sinks® Self Rimming Drop-In Sink is seamless die-drawn construction of 18 gauge type 304, 18-8 stainless steel. Exposed surfaces are #4 satin finish with polished rim. Sink includes concealed "U" Channels with Hardware for mounting to underside of Countertop and Sound Deadening Insulation on Sink bottom exterior. Deck Punches are 1-1/2" (38mm) diameter. Full Size Paper Template download available at [Acorn Website](#).

Cut-Out Size: 32-3/8" x 21-3/8" (822mm x 543mm) (1-1/2" (38mm) Corner Radius)

Minimum Cabinet Size: 36" (914mm) [Link to Info](#)

Product Compliance:

- ♦ ADA Compliant when installed to requirements.
- ♦ ASME A112.19.3/CSA B45.4
- IAPMO® Certified for Conformance with:
- ♦ Uniform Plumbing Code® (UPC®)
- ♦ International Plumbing Code® (IPC®)
- ♦ National Plumbing Code of Canada® (NPC®)

BASE MODEL NUMBER (Must Specify)

- SDADA-3322-45 4-1/2" Deep Bowl
- SDADA-3322-55 5-1/2" Deep Bowl
- SDADA-3322-65 6-1/2" Deep Bowl

DECK (FAUCET) PUNCHING (Must Specify)

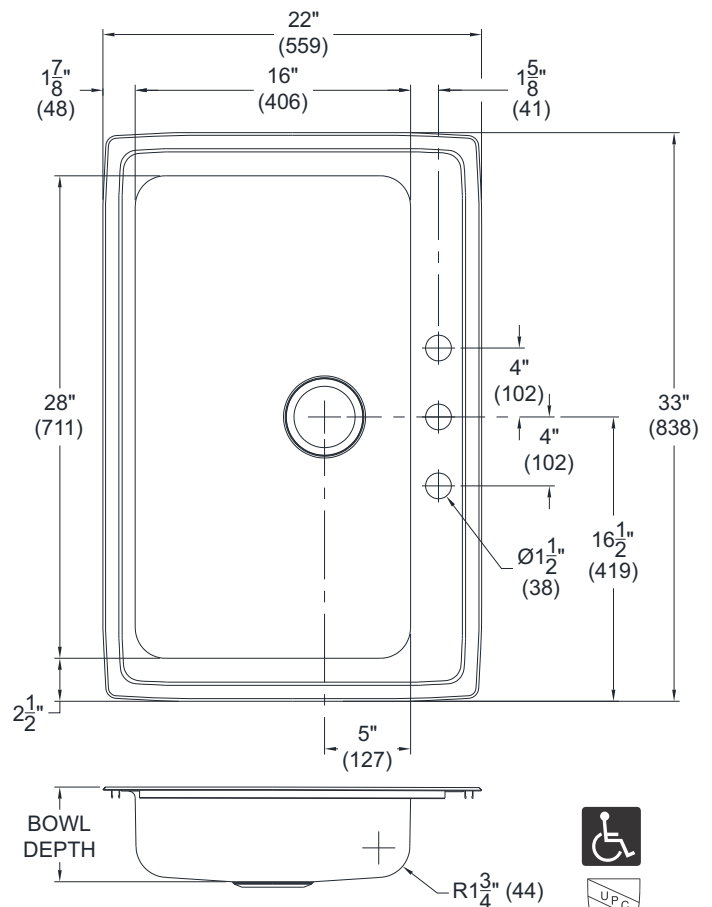
- 0 Blank, No Deck Punching
- 1 Single Hole Centered
- 2R Single Hole Centered w/ 2nd Hole 4" to Right
- 2 2 Holes on 4" Centers (4" Centerset)
- 3 3 Holes on 4" Centers (8" Centerset)
- 4L 3 Holes on 4" Centers w/ 4th Hole 4" to Left
- 4R 3 Holes on 4" Centers w/ 4th Hole 4" to Right
- 5 5 Holes on 4" Centers

Refer to [Supplemental Submittal](#) for optional Accessories.



SDADA-3322-55-4L

Fixture May Show Some Available Options



SDADA-3322-55-3 Shown

WARNING: Cancer and Reproductive Harm - www.P65Warnings.ca.gov

Important: Installation instructions and current rough-in are furnished with each fixture. Do not rough in without certified dimensions. Dimensions are subject to manufacturer's tolerance of plus or minus 1/4" and change without notice. Acorn assumes no responsibility for use of void or superseded data. © Copyright 2023 Acorn Engineering Company

Selection Summary
Model No. & Option _____
Quantity _____

Approved for Manufacturing
Company _____ Title _____
Signature _____ Date _____

SDADA-3322

REV: 10/15/25

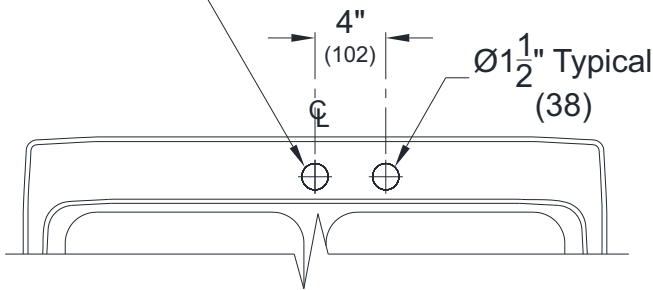


REFERENCE

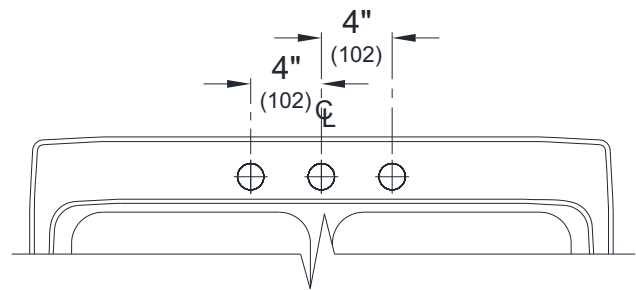
Deck (Faucet) Punching Details

- Details shown are offered on the Stainless Steel Drop-In style sinks (SD and DD Series).
- Dimensions are from Sink centerline of either Single Bowl or Double Bowl (between basins).
- All Deck punching shown below includes 1-1/2" (38mm) diameter holes.
- Refer to individual Sink Submittal drawing for all other dimensional data.

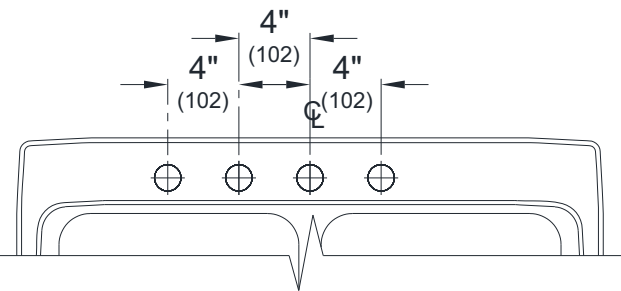
-1 Single Hole Centered



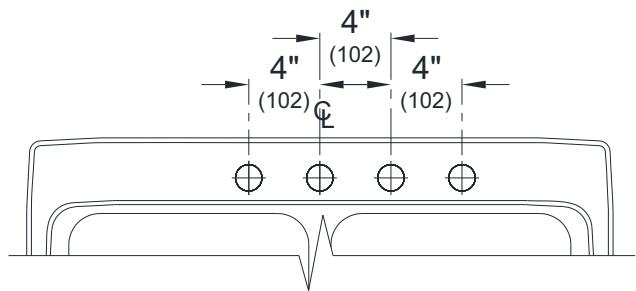
-2R Single Hole Centered with 2nd Hole 4" to Right



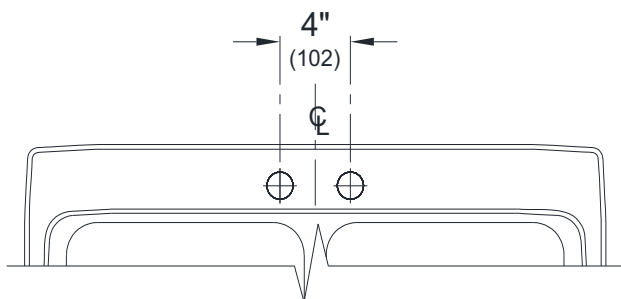
-3 Three Holes on 4" Centers (8" Centerset)



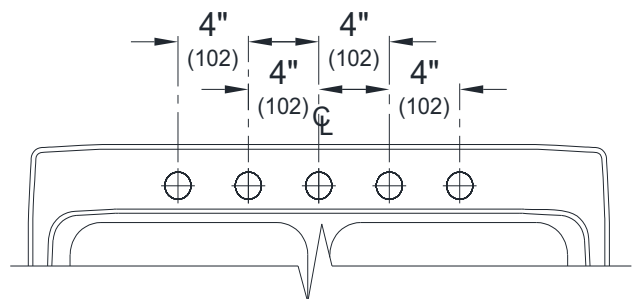
-4L Three Holes on 4" Centers with 4th Hole 4" to Left



-4R Three Holes on 4" Centers with 4th Hole 4" to Right



-2 Two Holes on 4" Centers (4" Centerset)



-5 Five Holes on 4" Centers

⚠ WARNING: Cancer and Reproductive Harm - www.P65Warnings.ca.gov

Important: Installation instructions and current rough-in are furnished with each fixture. Do not rough in without certified dimensions. Dimensions are subject to manufacturer's tolerance of plus or minus 1/4" and change without notice. Acorn assumes no responsibility for use of void or superseded data. © Copyright 2023 Acorn Engineering Company

SD-REF-1

Rev: 06/26/24



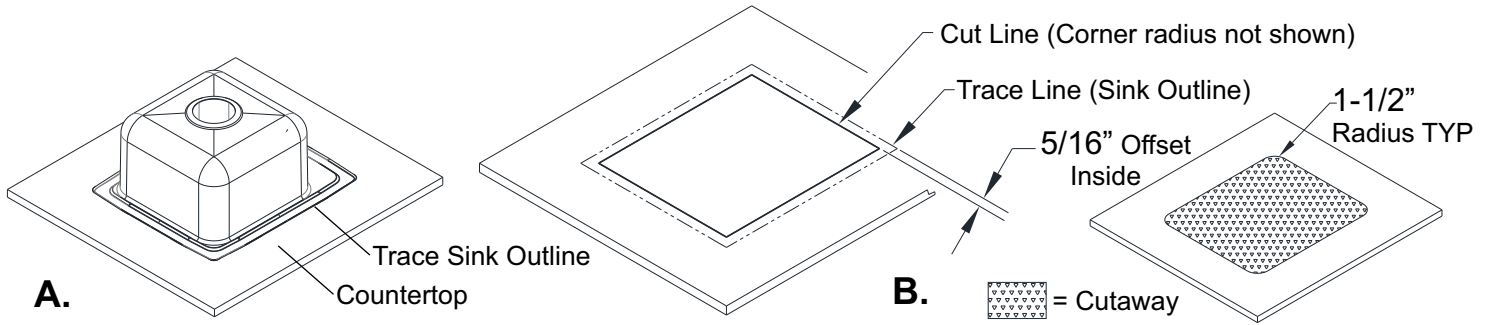
Acorn-Sinks® Installation Instructions - Drop-In Sinks

Scan QR Code to view Installation Video.

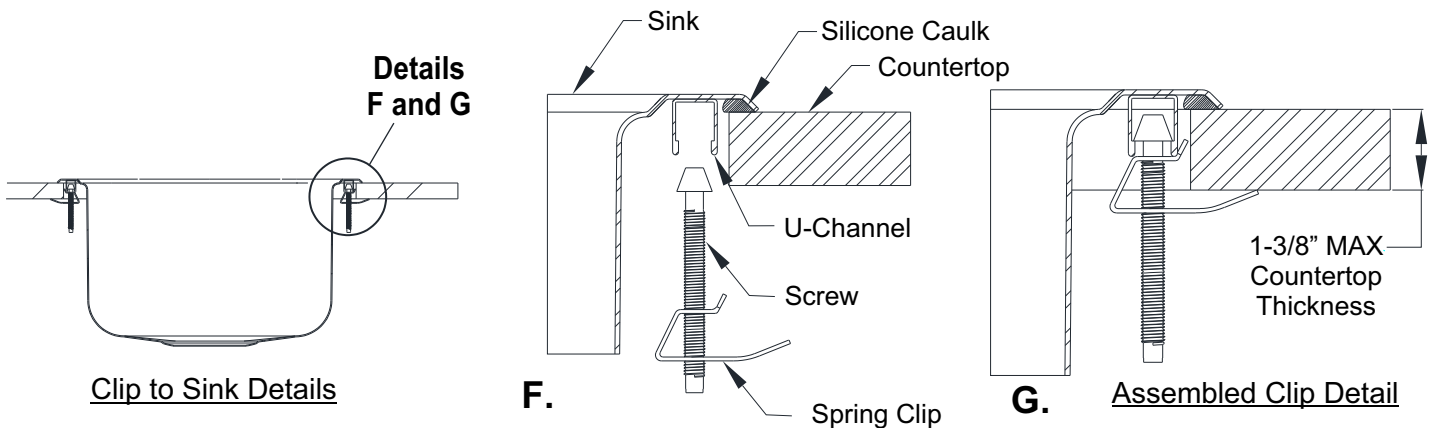
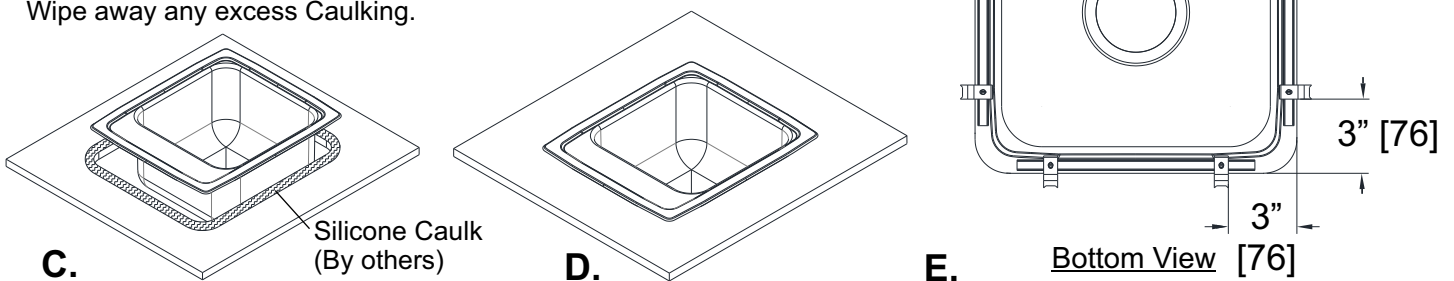


INSTALLATION STEPS

1. Position the sink upside down on the Countertop at desired location **[A]**.
Using a Marking Tool, carefully trace the outer edge of the Sink and create outline.
2. Mark a line offset **5/16"** **TO THE INSIDE** of the outline of the Sink **[B]**. Detail corners with a **1-1/2" Radius**.
NOTE: Do not cut square corners. The Cutaway area should be smaller than the original Sink outline.
3. Drill a pilot hole on the 4 corners of the **INSIDE** line.
Using an appropriate Saw, cut out Sink opening (*Caution: Cutaway portion will fall off*).



4. Apply Silicone Caulk (by others) to topside of Countertop along the cutout **[C]**.
5. Carefully lower Sink into cutout as shown in Figure **[D]**.
6. Assemble the Clips and Screws as shown in Figure **[F]**.
7. From the underside, place a Clip in the center along each side and hand tighten to hold Sink in place. Fasten the remaining Clips along the edge and space them approximately 3" [76] from each end and equally along the front, back, and sides as shown in Figure **[E]** (Clip quantity differs with Sink size).
8. Check the seal between the Sink and Countertop. Lightly tighten Clips evenly until the Sink is snug against the Countertop **[G]**. Do not over tighten. Wipe away any excess Caulking.



Verify all applicable Plumbing Code requirements prior to installation. Mounting Faucet to Sink prior to installation may reduce time and labor.
Note: For ADA Sink models: Compliance is subject to the interpretation and requirements of the Local Code Authority.

TECHNICAL ASSISTANCE TOLL FREE TELEPHONE NUMBER: 1-800-743-8259

ACORN ENGINEERING COMPANY

P.O. BOX 3527 • CITY OF INDUSTRY, CA 91744 U.S.A.
TOLL FREE 800-488-8999

Drawing # 9000-M00-002 12/04/23 A