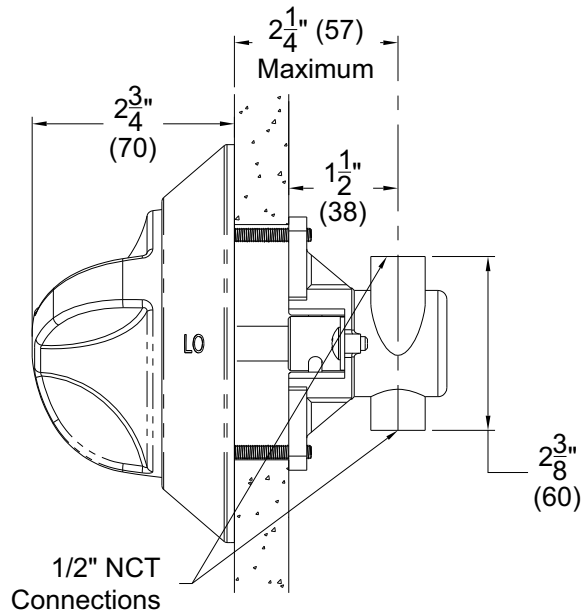




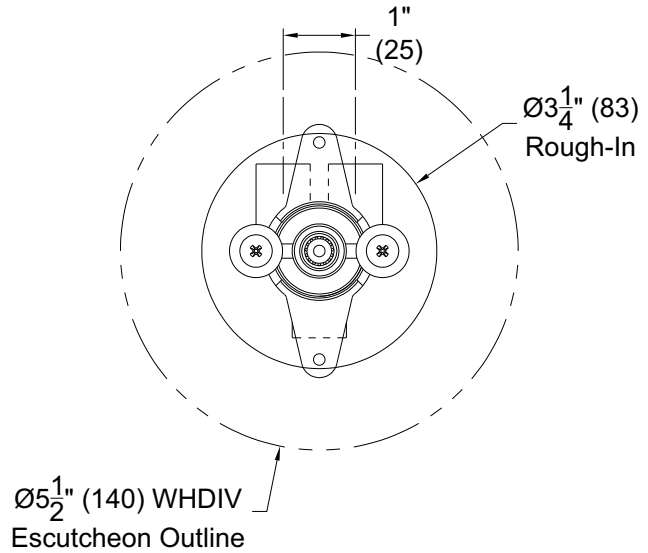
Division of  
 Acorn Engineering Company



A MEMBER OF



**WHDIV**



**Ø5 1/2\" (140) WHDIV  
 Escutcheon Outline**

09/07/2023



**WHDIV**

US PATENT - US D697,591

**FEATURES:**

- Bronze Diverter Valve Body
- Chrome Plated Brass Escutcheon with High Polish Finish
- Tri-Lever Ligature Resistant Handle is all-metal and provides ADA Compliance throughout the full operating range
- 1/2" NCT Inlet Port and Outlet Port Connections

**DIVERTER VALVE**



Please visit [www.whitehallmfg.com](http://www.whitehallmfg.com)  
 for most current specifications.

⚠ **WARNING:** Cancer and Reproductive Harm - [www.P65Warnings.ca.gov](http://www.P65Warnings.ca.gov)

