



Meridian® 2141-FM Series Front Mount - Wall and Floor Waste



2141-W-2-FM

Fixture May Show Some Available Options



Please visit www.acorneng.com for most current specifications.

Meridian® Front Mount Toilet contoured Housing features an attractive, satin finish and are optionally available with a High Polish Finish (-HP) for an exceptional, elegant appearance. The standard Toilet Bowl has a matte finish on the bowl interior. All units include punching for an elongated Hinged Seat. (-HS Hinged Seat is optionally available.) Housing includes Access Panel on each side for installation of fixture and Hinged Seat.

Toilet is a Siphon Jet type with an elongated Bowl manufactured to ASME A112.19.3-2008 and CSA B45.4-2008 requirements and will flush with a minimum of 25 PSI flow pressure when used in conjunction with a minimum of 1.28 GPF. P-Trap has a minimum 3-1/2" Seal and will pass a 2-1/8" Ball and is fully enclosed.

Flush Valve supply is available for exposed or concealed Flush Valve styles with 1-1/2" NPT connection.

Front Mount (-FM) unit includes a fixture-to-wall Mounting Plate with exposed vandal-resistant fasteners. Mounting Plate is mounted directly to a reinforced wall or to optional -MC Mounting Carrier (6" bolt centers) for off-floor, Front Mount models. Waste Outlet connection for Front Mount (-FM) unit is 5-1/2" diameter recessed Gasket Flange.

GUIDE SPECIFICATION

Acorn Meridian® Siphon Jet Toilet (specify model number and options). Fixture to be heavy gage type 304 stainless steel. Exposed surfaces shall be polished to a satin finish. Housing to include side Access Panels and punching for Hinged Seat. Toilet shall meet ASME A112.19.3-2008 and CSA B45.4-2008 requirements and will flush with a minimum of 25 PSI flow pressure when used in conjunction with a minimum of 1.28 GPF. Toilet P-Trap shall have a minimum 3-1/2" seal that shall pass a 2-1/8" diameter Ball and be fully enclosed.



Meridian®: 2141 Front Mounted

WALL THICKNESS AND TYPE (Must Specify)

Thickness _____ Type: Concrete Block Steel

MODEL NUMBER AND OPTIONS SELECTION:

BASE MODEL NUMBER

2141 Front Mounted Siphon Jet Toilet

SUPPLY SELECTION (Must Specify)

-T Top (Exposed)
 -W Wall (Concealed)

FIXTURE MOUNTING & WASTE (Must Specify)

-1 Off-Floor, Wall Outlet
 -2 On-Floor, Wall Outlet
 -3 On-Floor, Floor Outlet

INSTALLATION

-FM Front Mount

TOILET SEAT HEIGHT (15" STANDARD)

-ADA 18" Integral Seat Height

FLUSH VALVE GPFs (Must Specify)

-1.28 GPF (Watersense Certified)
 -1.6 GPF (Federal EPA Standard)
 -3.5 GPF (Verify with Local Code Authority)

FLUSH VALVE OPTIONS (Must Specify)

***NOTE: FOR FLUSH VALVE ACCESS PANEL OR COVER REFER TO ACORN OPTIONS MODEL #2898 (-W SUPPLY) OR # 2802 (-T SUPPLY).**

-FV Flush Valve, Mechanical (-W, -T, -T-ADA, N/A for -W-ADA)
 -FVBO Flush Valve by Others (Select with 2898 & 2802 Covers)
 -FVH Flush Valve, ADA Hydraulic (-W and -W-ADA Only)
 -FVL Flush Valve, ADA Lever Handle (-W and -W-ADA Only)
 -MVCFV Time-Trol® Flush Valve (-W and -W-ADA Only)

TOILET SEAT OPTIONS

(Standard Units include Punching for Hinged Seat)

-HS-OFLC Hinged Seat, Open Front Less Cover
 -HS-OFWC Hinged Seat With Cover
 -LPFS Less Punch for Hinged Seat

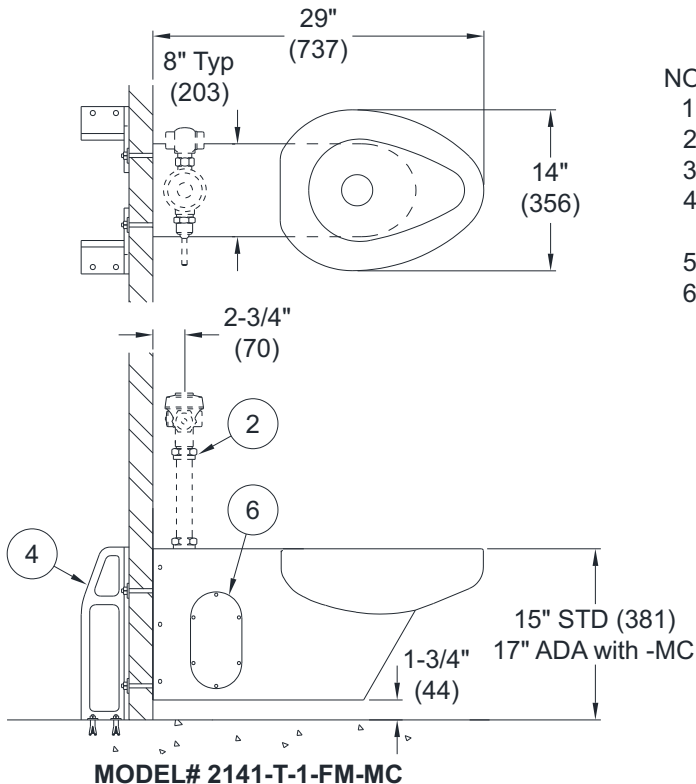
TOILET OPTIONS

-FVT Flush Thru Wall Connector (-W Models)

PRODUCT OPTIONS

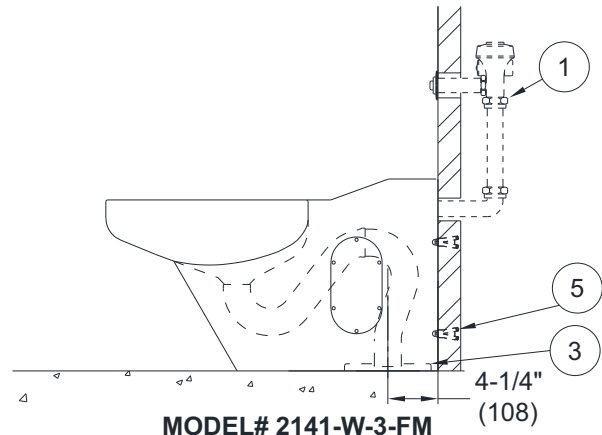
-BL Bedpan Lugs
 -EGE Enviro-Glaze Color Specify: _____
Toilet Exterior Only
 -FG 14 Gage Housing
 -HP High Polish Finish (Exterior Only)
 -MC Mounting Support Legs (6" Bolt Centers)
(-1 Off-Floor Only. ADA Units Require 17" Rim Height)
 -TF Transformer, 120VAC to 24VAC (-MVCFV option)

Please visit www.acorneng.com for most current specifications.



NOTES:

1. Optional -FV Flush Valve - Wall Supply
2. Optional Flush Valve - Top Supply
3. Toilet Floor Waste Outlet
4. Optional -MC Mounting Carrier (off-floor, Front Mount)
5. In-Wall Mounting Hardware (By Others)
6. Access Panel (Both Sides)



WARNING: Cancer and Reproductive Harm - www.P65Warnings.ca.gov

<p>Important: Installation instructions and current rough-in are furnished with each fixture. Do not rough in without certified dimensions. Dimensions are subject to manufacturer's tolerance of plus or minus 1/4" and change without notice. Acorn assumes no responsibility for use of void or superseded data. © Copyright 2009 Acorn Engineering Company</p>	
<p>Selection Summary</p> <p>Model No. & Option _____</p> <p>Quantity _____</p>	<p>Approved for Manufacturing</p> <p>Company _____ Title _____</p> <p>Signature _____ Date _____</p>