



## Meridian® 2141-RM Series

Rear Mount - Wall and Floor Waste



2141-W-2-RM

Fixture May Show Some Available Options



Please visit [www.acorneng.com](http://www.acorneng.com) for most current specifications.

### Rear Mounted Siphon Jet Toilet

**Meridian® Rear Mount Toilet** contoured Housing features an attractive, satin finish and are optionally available with a High Polish Finish (-HP) for an exceptional, elegant appearance. The standard Toilet Bowl has a matte finish on the Bowl interior. Fixture is arranged to be installed on finished wall and serviced from a fully accessible rear pipe chase.

**For high security detention** designs refer to the Acorn model 1675-1695 series units.

Units include punching for an elongated Hinged Seat. (-HS Hinged Seat is optionally available.) Housing includes Access Panel on each side for installation of fixture and Hinged Seat.

**Toilet** is a Siphon Jet type with an elongated Bowl manufactured to ASME A112.19.3-2008 and CSA B45.4-2008 requirements and will flush with a minimum of 25 PSI flow pressure when used in conjunction with a minimum of 1.28 GPF. P-Trap has a minimum 3-1/2" Seal and will pass a 2-1/8" Ball and is fully enclosed.

**Flush Valve** supply is available for exposed or concealed Flush Valve styles with 1-1/2" NPT connection.

**Rear Mount (-RM)** unit includes integral 1/2" UNC Anchor Tapping and mounting hardware. Unit requires an accessible pipe chase for installation. Wall Waste Outlet connection for Rear Mount (-RM) unit is a 2-3/8" OD stainless steel plain end. Floor Waste Outlet connection is a 7-1/2" Recessed Gasket Flange.

### GUIDE SPECIFICATION

Acorn Meridian® Siphon Jet Toilet (specify model number and options). Fixture to be heavy gage type 304 stainless steel. Exposed surfaces shall be polished to a satin finish. Housing to include side Access Panels and punching for Hinged Seat. Toilet shall meet ASME A112.19.3-2008 and CSA B45.4-2008 requirements and will flush with a minimum of 25 PSI flow pressure when used in conjunction with a minimum of 1.28 GPF. Toilet P-Trap shall have a minimum 3-1/2" seal that shall pass a 2-1/8" diameter Ball and be fully enclosed.



# Meridian®: 2141 Rear Mounted

## WALL THICKNESS AND TYPE (Must Specify)

Thickness \_\_\_\_\_ Type:  Concrete  Block  Steel

## MODEL NUMBER AND OPTIONS SELECTION:

### BASE MODEL NUMBER

2141 Rear Mounted Siphon Jet Toilet

### SUPPLY SELECTION (Must Specify)

-T Top (Exposed)  
 -W Wall (Concealed)

### FIXTURE MOUNTING & WASTE (Must Specify)

-1 Off-Floor, Wall Outlet  
 -2 On-Floor, Wall Outlet  
 -3 On-Floor, Floor Outlet

### INSTALLATION (Requires Fully Accessible Rear Chase)

-RM Rear Mount

### TOILET SEAT HEIGHT (15" STANDARD)

-ADA 18" Integral Seat Height

### FLUSH VALVE GPFs (Must Specify)

-1.28 GPF (Watersense Certified)  
 -1.6 GPF (Federal EPA Standard)  
 -3.5 GPF (Verify with Local Code Authority)

### FLUSH VALVE OPTIONS (Must Specify)

**\*NOTE: FOR FLUSH VALVE ACCESS PANEL OR COVER REFER TO ACORN OPTIONS MODEL #2898 (-W SUPPLY) OR # 2802 (-T SUPPLY).**

-FV Flush Valve, Mechanical (-W, -T, -T-ADA, N/A for -W-ADA)  
 -FVBO Flush Valve by Others (Select with 2898 & 2802 Covers)  
 -FVH Flush Valve, ADA Hydraulic (-W and -W-ADA Only)  
 -FVL Flush Valve, ADA Lever Handle (-W and -W-ADA Only)  
 -MVCFV Time-Trol® Flush Valve (-W and -W-ADA Only)

## TOILET SEAT OPTIONS

(Standard Units include Punching for Hinged Seat)

-HS-OFLC Hinged Seat, Open Front Less Cover  
 -HS-OFWC Hinged Seat With Cover  
 -LPFS Less Punch for Hinged Seat

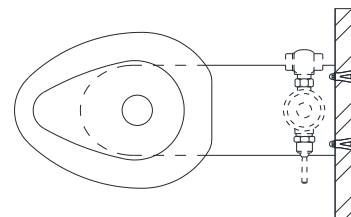
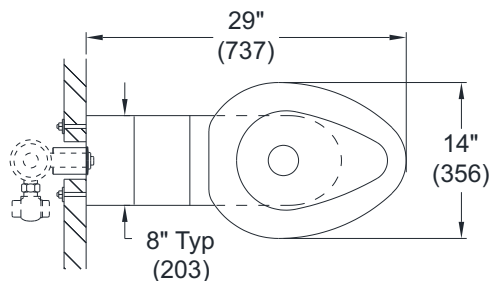
## TOILET OPTIONS

-CO1 Cleanout with O-Ring to No-Hub 2-3/8" x 4"  
 -CO1\_3 Cleanout with O-Ring to No-Hub 2-3/8" x 3"  
 -FVT Flush Thru Wall Connector (-W Models)  
 -GW Gasket Waste (-1, -2 Models)

## PRODUCT OPTIONS

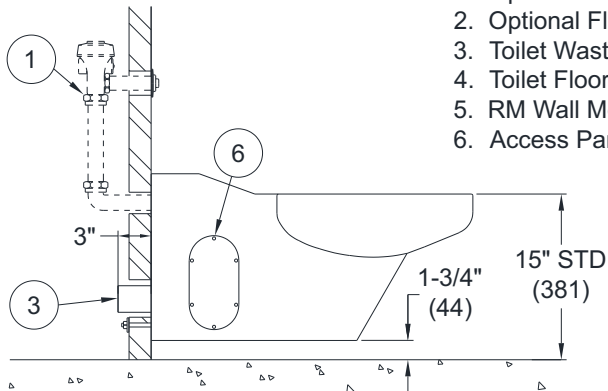
-BL Bedpan Lugs  
 -EGE Enviro-Glaze Color Specify: \_\_\_\_\_  
 Toilet Exterior Only  
 -FG 14 Gage Housing  
 -HP High Polish Finish (Exterior Only)  
 -MT Metal Template  
 -SW Wall Sleeve (-RM Models)  
 -TF Transformer, 120VAC to 24VAC (-MVCFV option)

Please visit [www.acorneng.com](http://www.acorneng.com) for most current specifications.

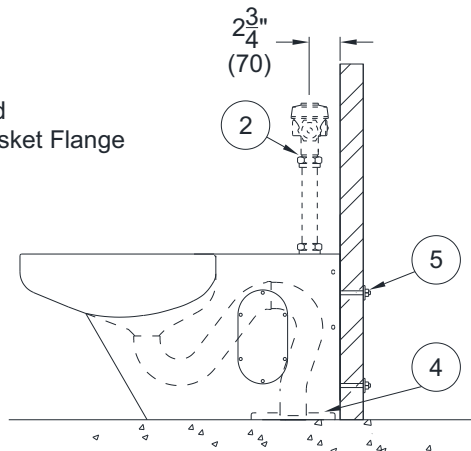


### NOTES:

1. Optional -FV Flush Valve - Wall Supply
2. Optional Flush Valve - Top Supply
3. Toilet Waste Outlet, 2-3/8" OD Plain End
4. Toilet Floor Waste Outlet, Recessed Gasket Flange
5. RM Wall Mounting Hardware (Provided)
6. Access Panel (Both Sides)



MODEL# 2141-W-1-RM



MODEL# 2141-T-3-RM

**WARNING:** Cancer and Reproductive Harm - [www.P65Warnings.ca.gov](http://www.P65Warnings.ca.gov)

<b>Important:</b> Installation instructions and current rough-in are furnished with each fixture. Do not rough in without certified dimensions. <small>Dimensions are subject to manufacturer's tolerance of plus or minus 1/4" and change without notice. Acorn assumes no responsibility for use of void or superseded data. © Copyright 2009 Acorn Engineering Company</small>	
<p style="text-align: center;">Selection Summary</p> <p>Model No. &amp; Option _____</p> <p>Quantity _____</p>	<p style="text-align: center;">Approved for Manufacturing</p> <p>Company _____ Title _____</p> <p>Signature _____ Date _____</p>